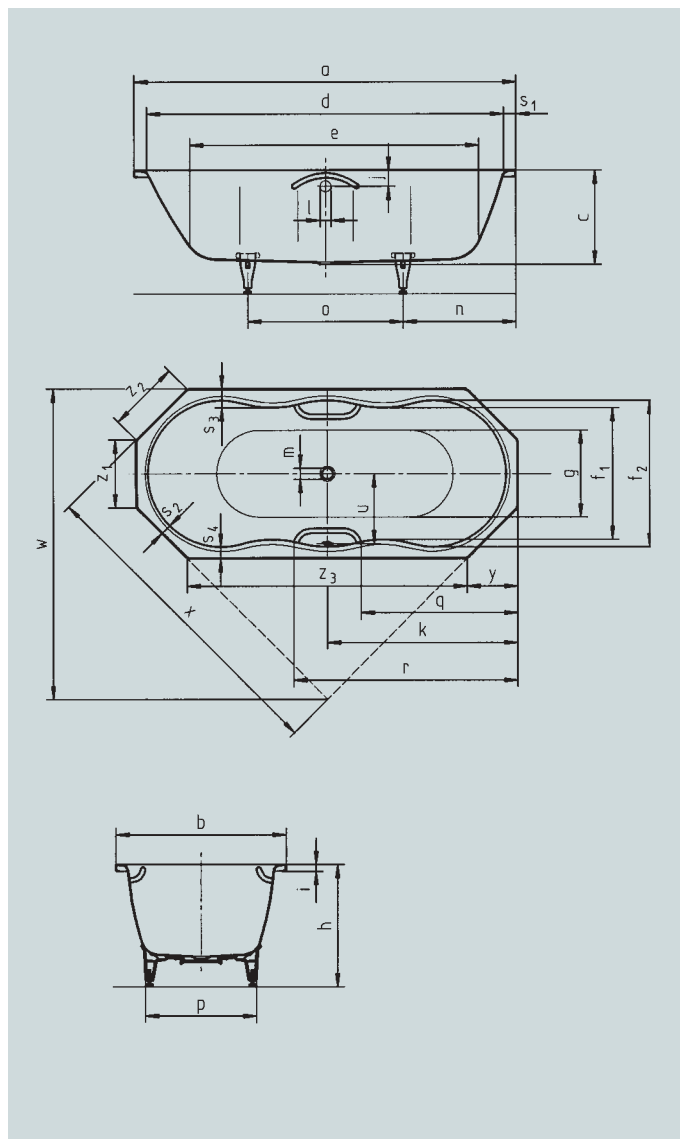


NOVOLA DUO 8

NOVOLA DUO 8 STAR

- with its curved interior contours, this bathtub will become an eye-catcher in every bathroom
- bathing with a friend: two identical back rests and centrally positioned outlet
- diverse installation possibilities, also corner installation
- also available with handles



Model no.		258/ 259
External length	a	1800 mm
External width	b	800 mm
Depth	c	440 mm
Internal length (top)	d	1690 mm
Internal length (bottom)	e	1360 mm
Internal width (top)	f ₁ ; f ₂	620; 690 mm
Internal width (bottom)	g	460 mm
Height with feet	h	565-590 mm
Height of rim	i	32 mm
Distance top edge to centre of overflow hole	j	67 mm
Distance tub edge (foot) to centre of drain hole	k	900 mm
Diameter of overflow hole	l	52 mm
Diameter of drain hole	m	52 mm
Distance foot end of tub edge to centre of base	n	480 mm
Distance between the feet	o	780 mm
Max. width of feet	p	500 mm
Distance tub edge (foot end) to where handle starts (Mod. 259)	q	740 mm
Distance tub edge (foot end) to where handle ends (Mod. 259)	r	1058 mm
Width of rim	S ₁ ; S ₂ ; S ₃ ; S ₄	55; 50; 90; 55 mm
Distance between centre holes	u	337 mm
Installation dimension	w	1460 mm
Side length	x	1498 mm
Fase	y	240 mm
Side length	Z ₁ ; Z ₂ ; Z ₃	320; 339; 1320 mm
Water volume** in litres		197
Anti-slip		Ø 435 mm
Full anti-slip		900 x 300 mm

Subject to technical alterations and tolerances.
 ** 70 litres displacement on average.