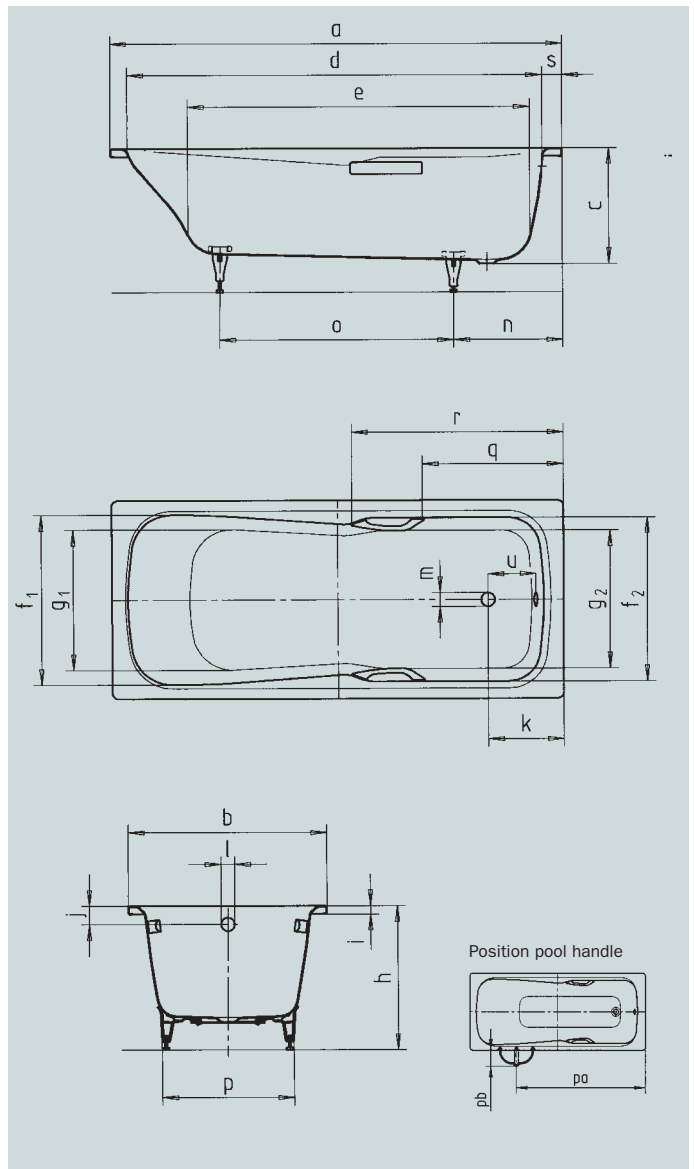


DYNA SET

DYNA SET STAR

- one-seater bathtub with outlet at foot end
- combi-bathtub suitable for bathing and showering
- also available with handles



| Model no. | | 626 / 627 | 624 / 625 | 620 / 621 | 622 / 623 |
|---|---------------------------------|-------------|-------------|-------------|----------------|
| External length | a | 1600 | 1500 | 1700 | 1800 mm |
| External width | b | 700 | 750 | 750 | 800 mm |
| Depth | c | 430 | 430 | 430 | 430 mm |
| Internal length (top) | d | 1440 | 1340 | 1565 | 1565 mm |
| Internal length (bottom) | e | 1155 | 1050 | 1230 | 1230 mm |
| Internal width (top) | f ₁ ; f ₂ | 590; 590 | 640; 640 | 640; 620 | 640; 620 mm |
| Internal width (bottom) | g ₁ ; g ₂ | 450; 470 | 500; 520 | 500; 520 | 500; 520 mm |
| Height with feet | h | 561-586 | 561-586 | 561-586 | 561-586 mm |
| Height of rim | i | 32 | 32 | 32 | 32 mm |
| Distance top edge to centre of overflow hole | j | 70 | 70 | 70 | 70 mm |
| Distance tub edge (foot) to centre of drain hole | k | 310 | 310 | 285 | 335 mm |
| Diameter of overflow hole | l | 52 | 52 | 52 | 52 mm |
| Diameter of drain hole | m | 52 | 52 | 52 | 52 mm |
| Distance foot end of tub edge to centre of base | n | 410 | 410 | 410 | 415 mm |
| Distance between the feet | o | 690 | 590 | 760 | 805 mm |
| Max. width of feet | p | 445 | 495 | 495 | 495 mm |
| Distance tub edge to drilled hole in the middle | pa | - | - | 1250 | 1350 mm |
| Max. overhang | pb | - | - | 151 | 146 mm |
| Distance tub edge (foot end) to where handle starts (627/625/621/623) | q | 505 | 505 | 525 | 575 mm |
| Distance tub edge (foot end) to where handle ends (627/625/621/623) | r | 780 | 780 | 800 | 850 mm |
| Width of rim (foot end) | s | 100 | 100 | 75 | 125 mm |
| Distance between centre holes | u | 206 | 206 | 206 | 206 mm |
| Water volume** in litres | | 122 | 133 | 169 | 169 |
| Anti-slip | | Ø 288 | Ø 288 | Ø 435 | Ø 435 mm |
| Full anti-slip | | 850 x 240 | 600 x 220 | 900 x 300 | 900 x 300 mm |

Subject to technical alterations and tolerances.
 ** 70 litres displacement on average.