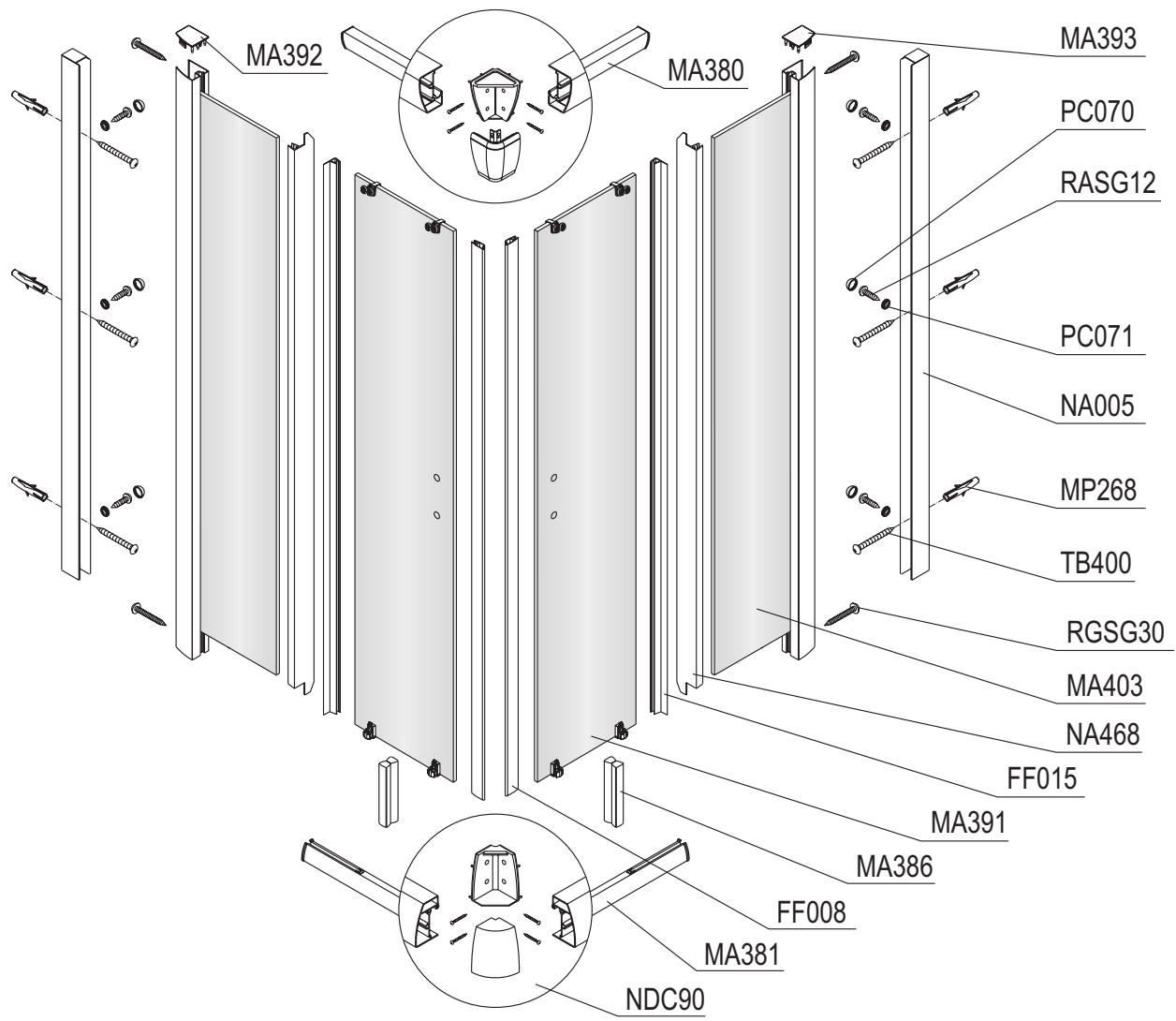


BLIX BLRV2 - 80, 90

N-RC80 N-RC90 Instruction Manual

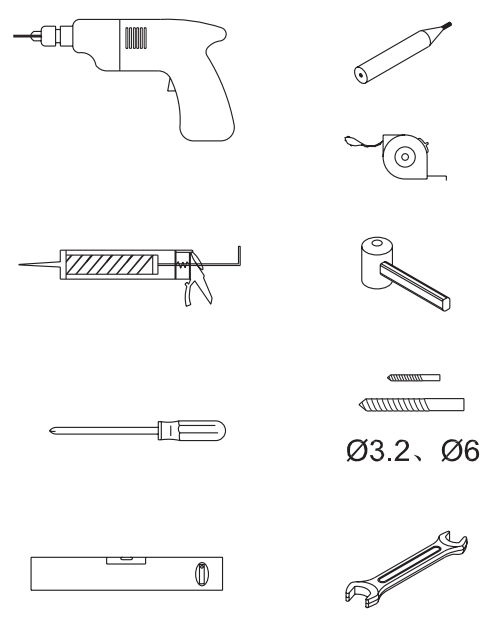


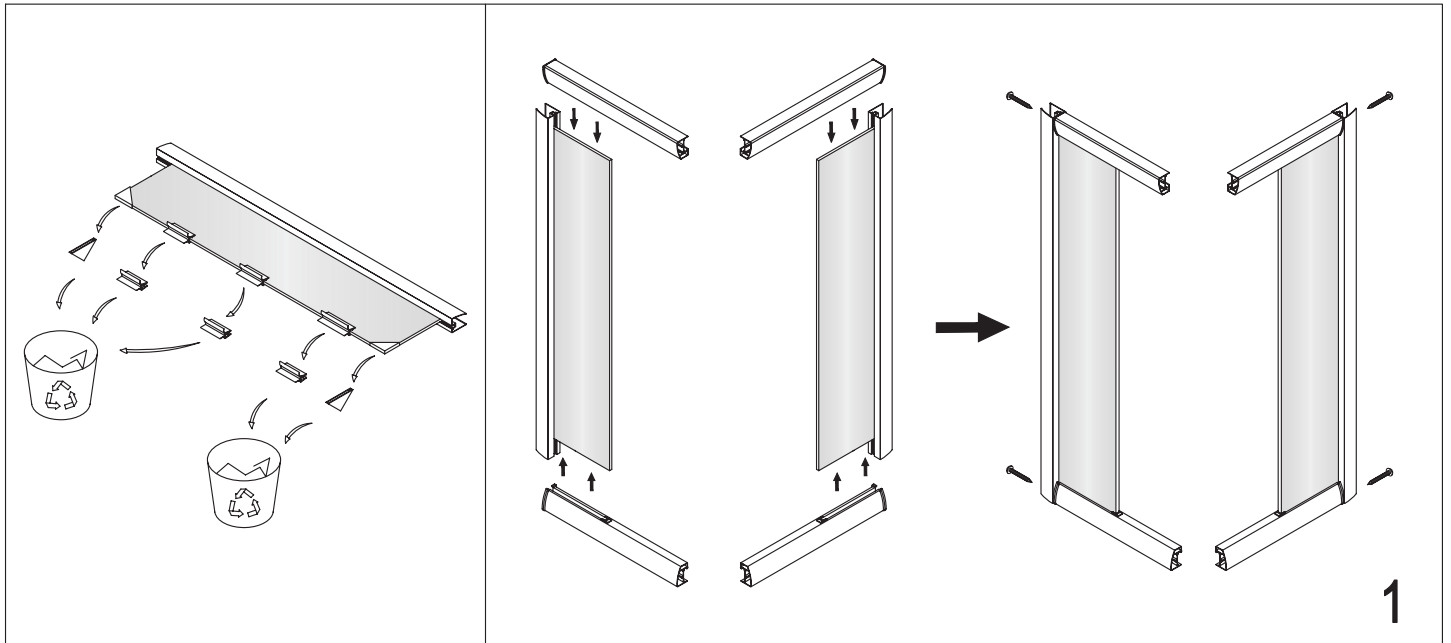


GD041		2.5mm	1x
-------	---	-------	----

Code	Description	Quantity
NDC90	Plastic connecting assembly	2
MA381	Bottom track	2
FF008	Magnetic strip	2
MA386	Handle	2
MA391	Door panel	2
FF015	Waterproof strip (door panel)	2
NA468	Waterproof strip (fixed panel)	2
MA403	Fixed panel	2
RGSG30	ST4x30 screw	12
TB400	ST4x50 screw	6
MP268	Wall plug	6
NA005	Wall profile	2
PC071	Washer	6
RASG12	ST4x12 screw	6
PC070	Screw cap	6
MA393	Adjustable profile cap (Right)	1
MA380	Top track	2
MA392	Adjustable profile cap (Left)	1
GD041	Allen key 2.5mm	1

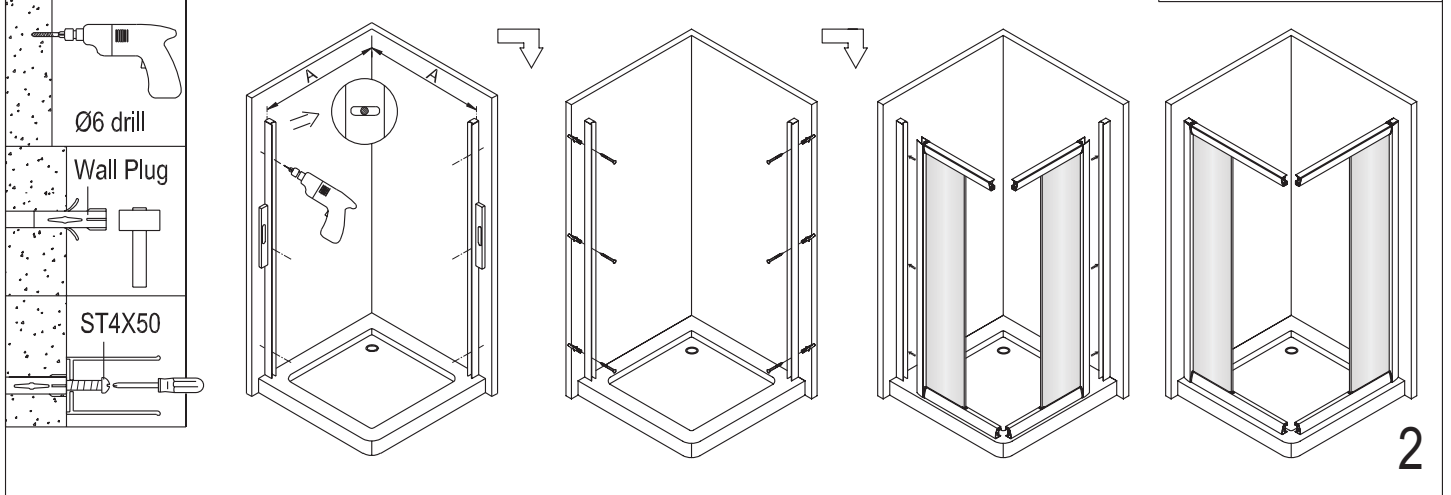
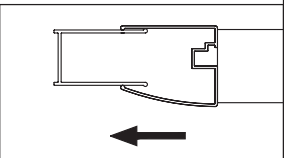
TOOLS REQUIRED



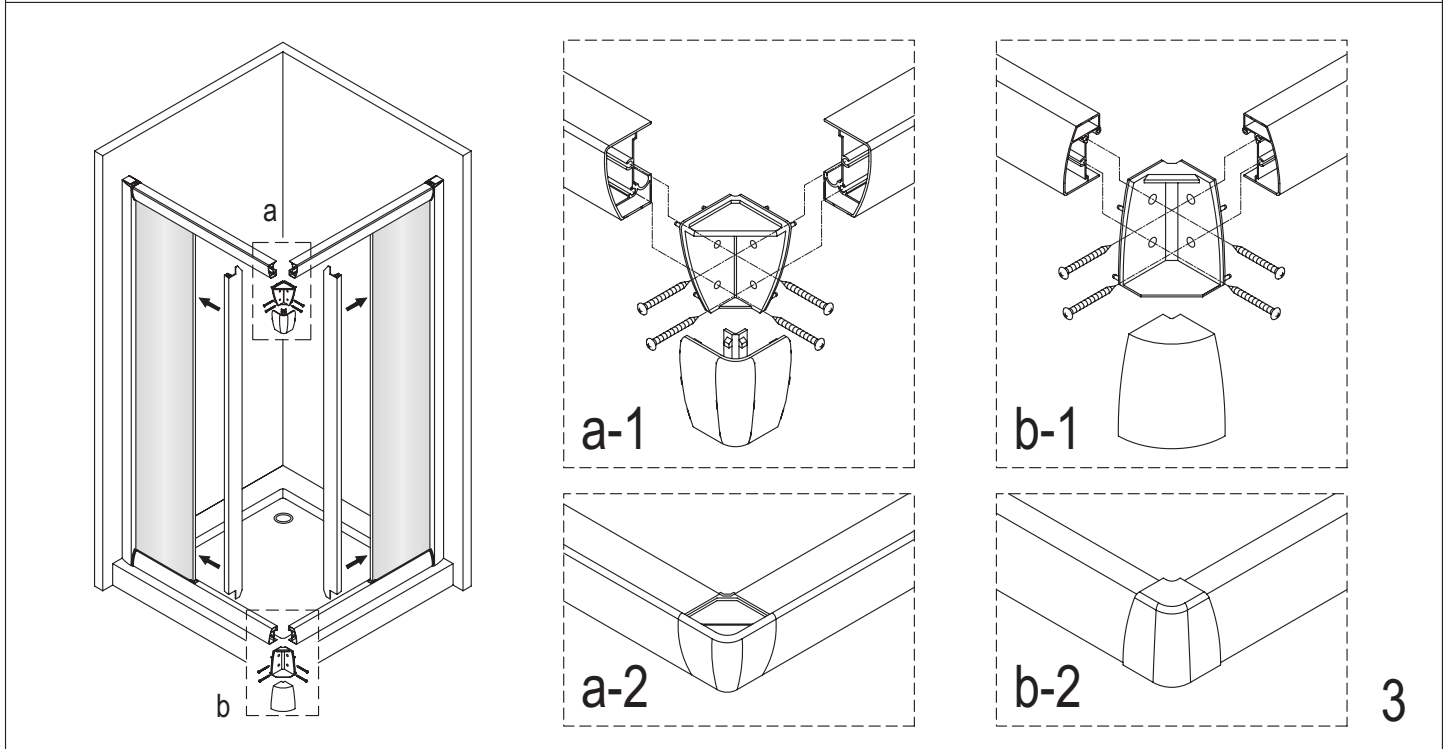


1

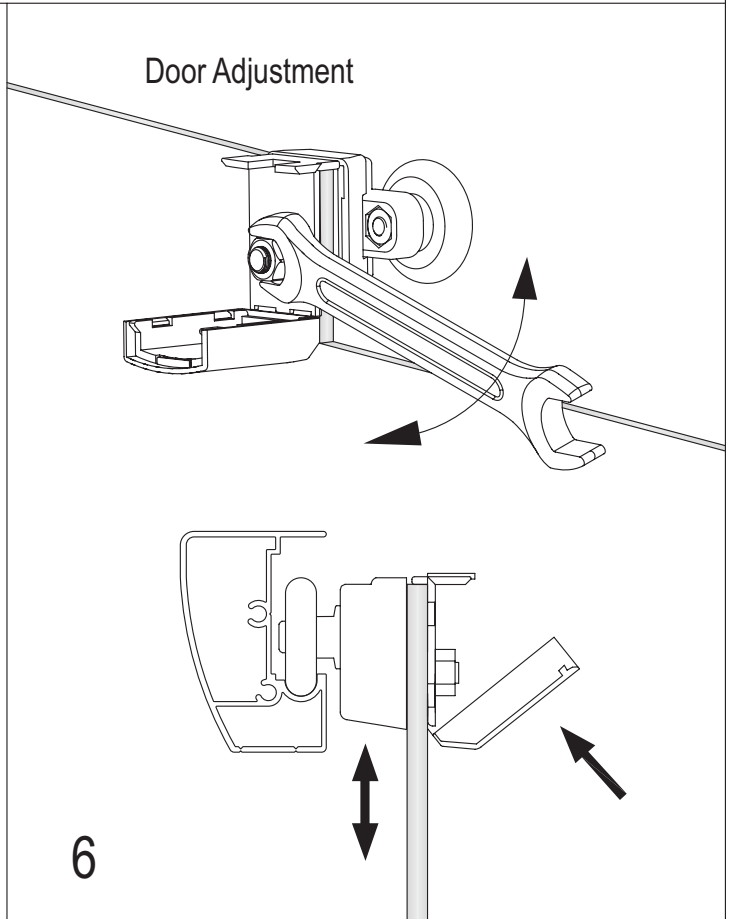
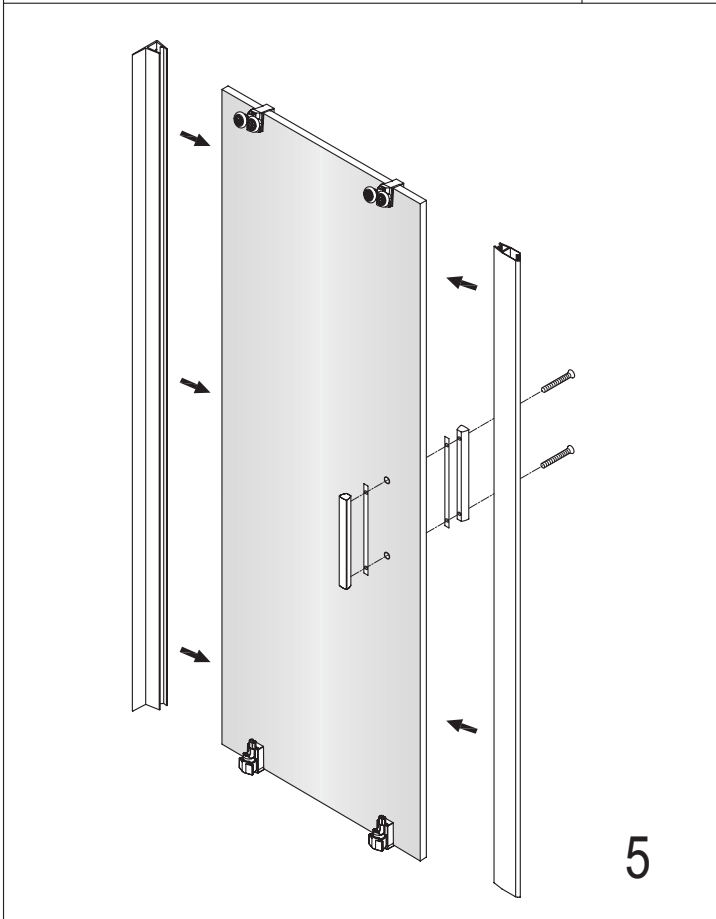
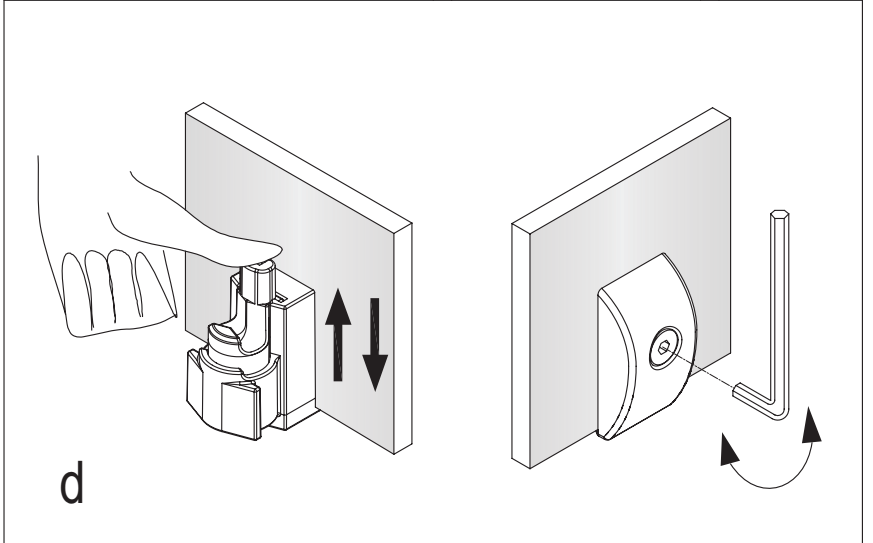
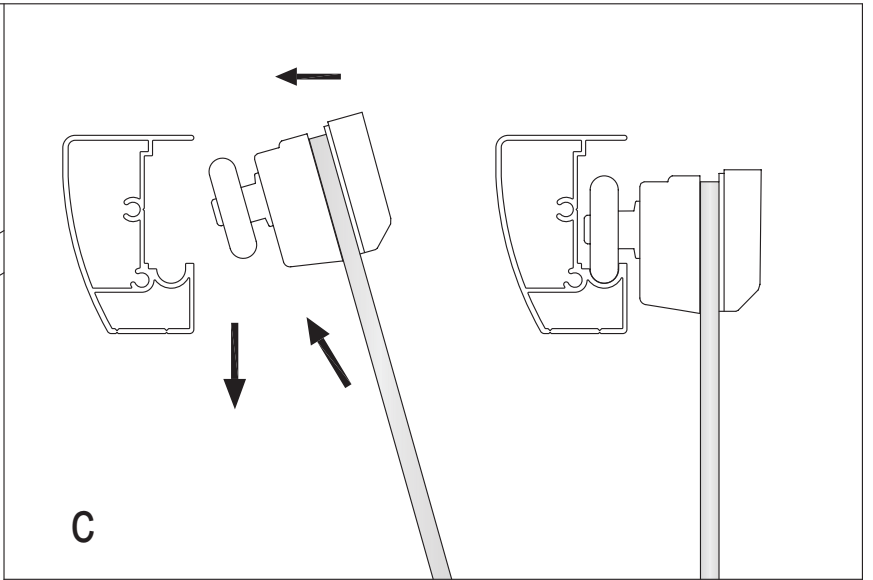
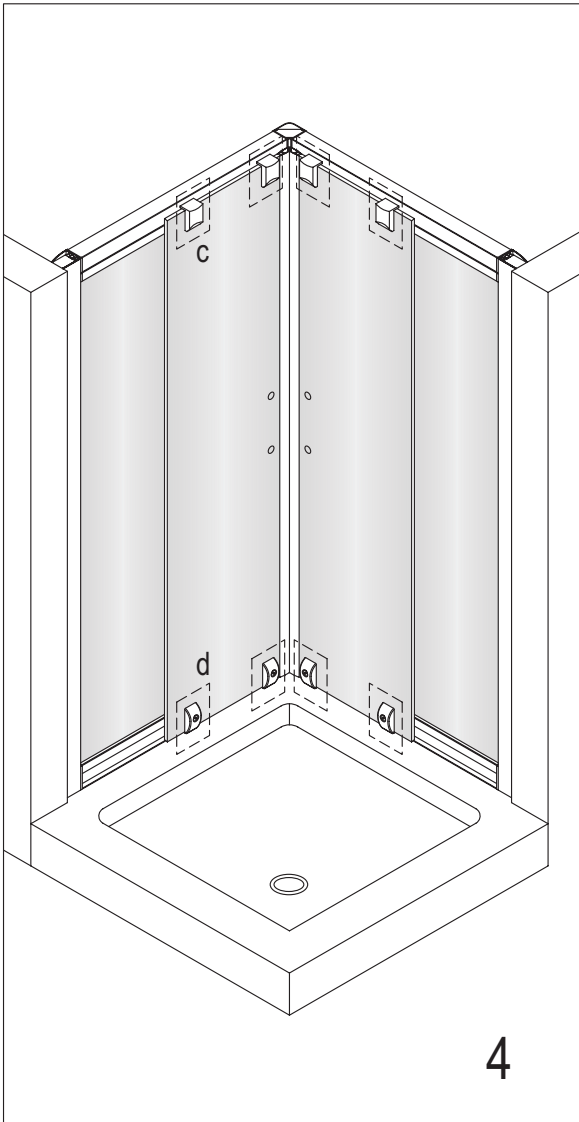
Profile Pencil		A
	77.8x77.8x190cm	75.8 \Rightarrow 77.8cm
	87.8x87.8x190cm	85.8 \Rightarrow 87.8cm

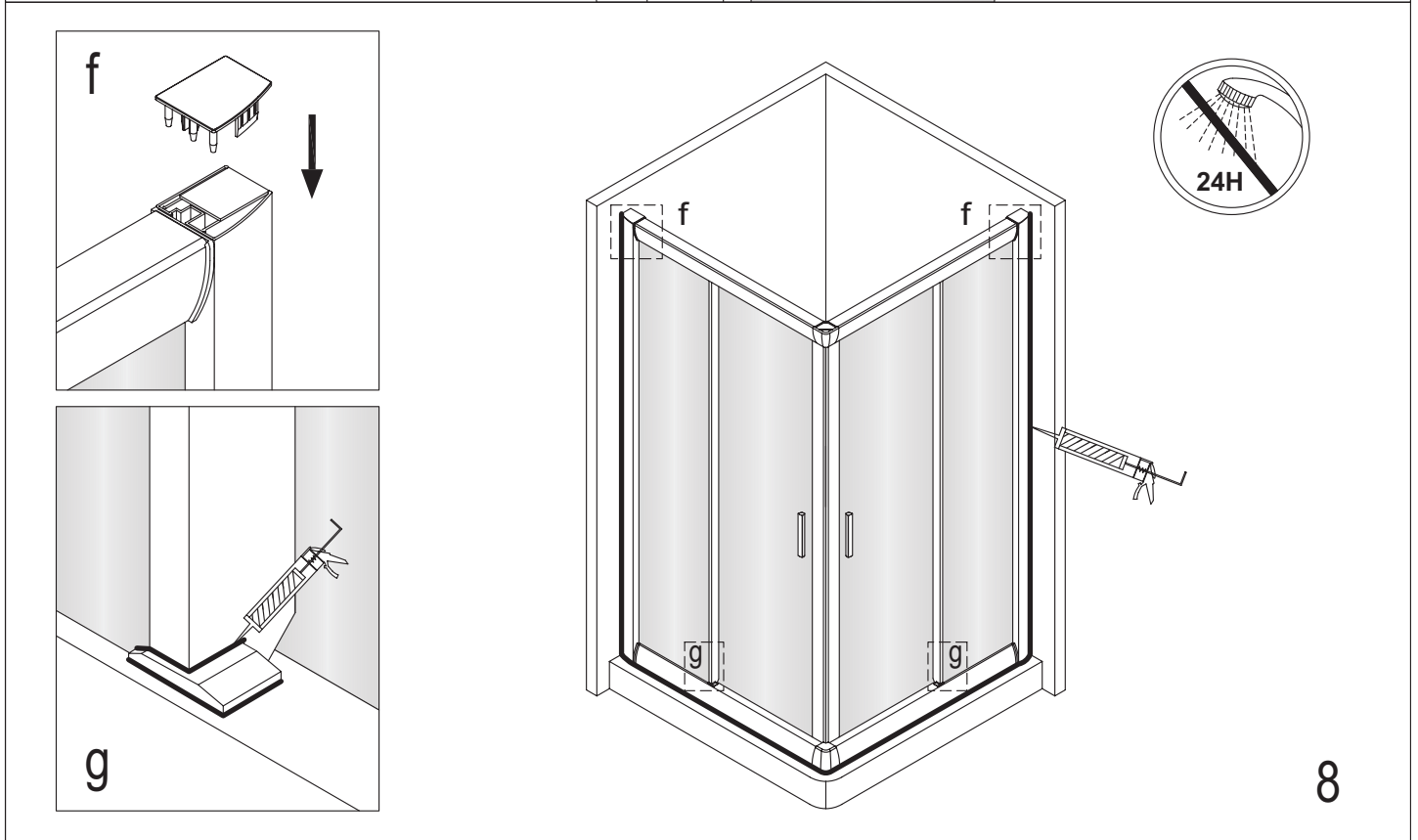
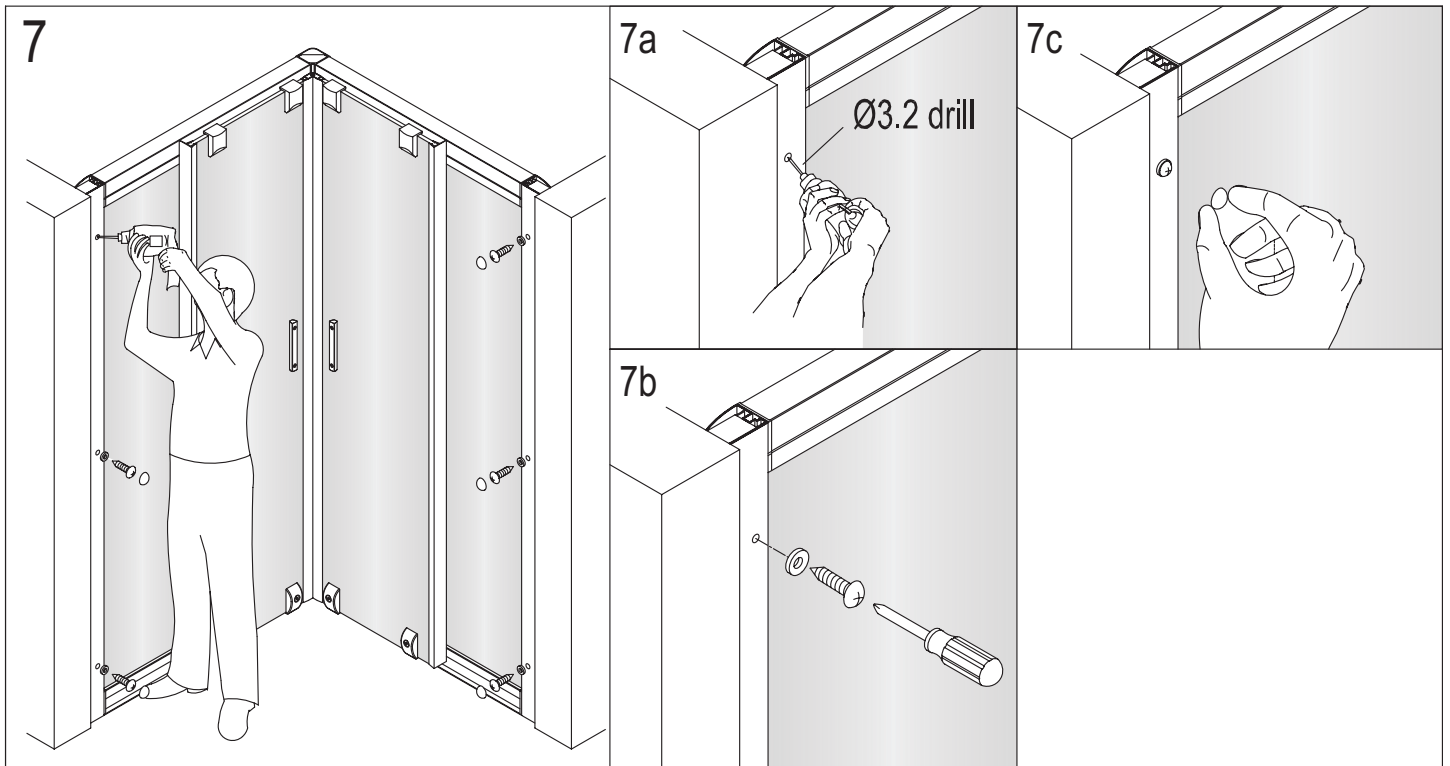


2



3





Care Instructions:

- Do not use your shower enclosure within 24 hours of assembly
- Do not use caustic cleaning products or abrasive material when cleaning your shower enclosure