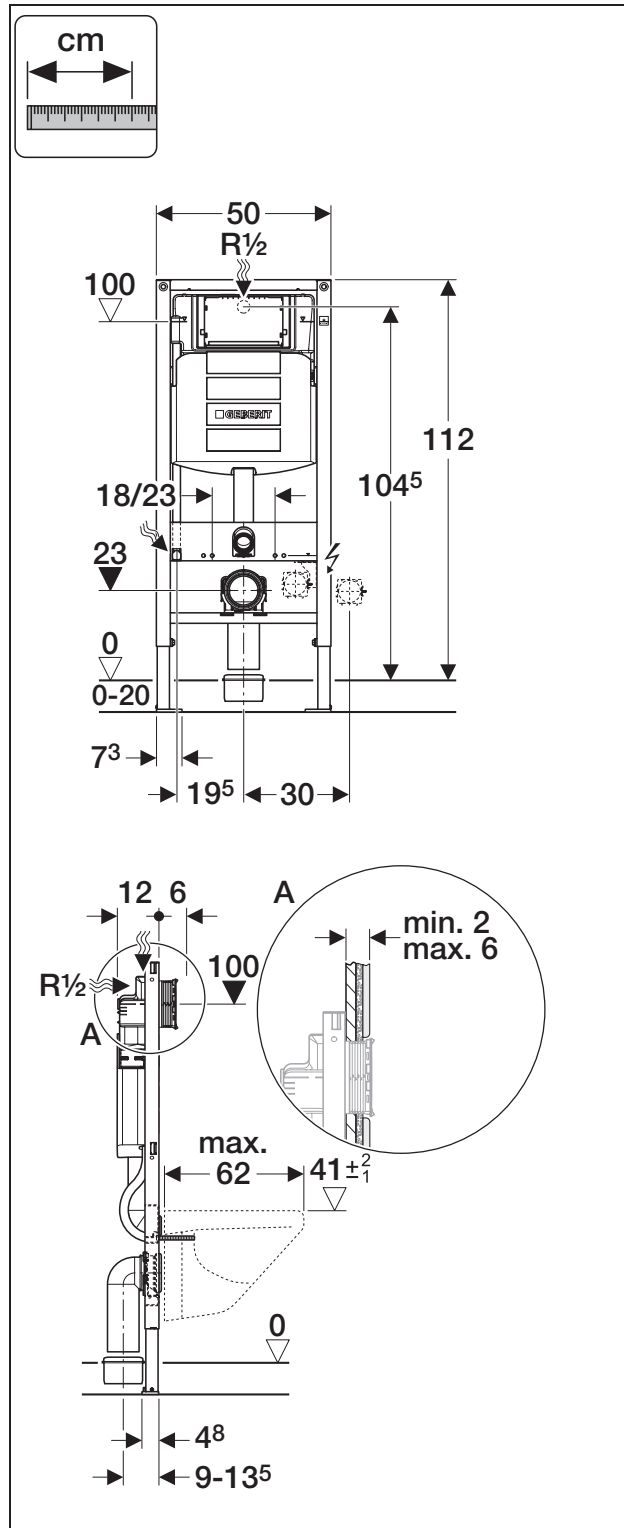
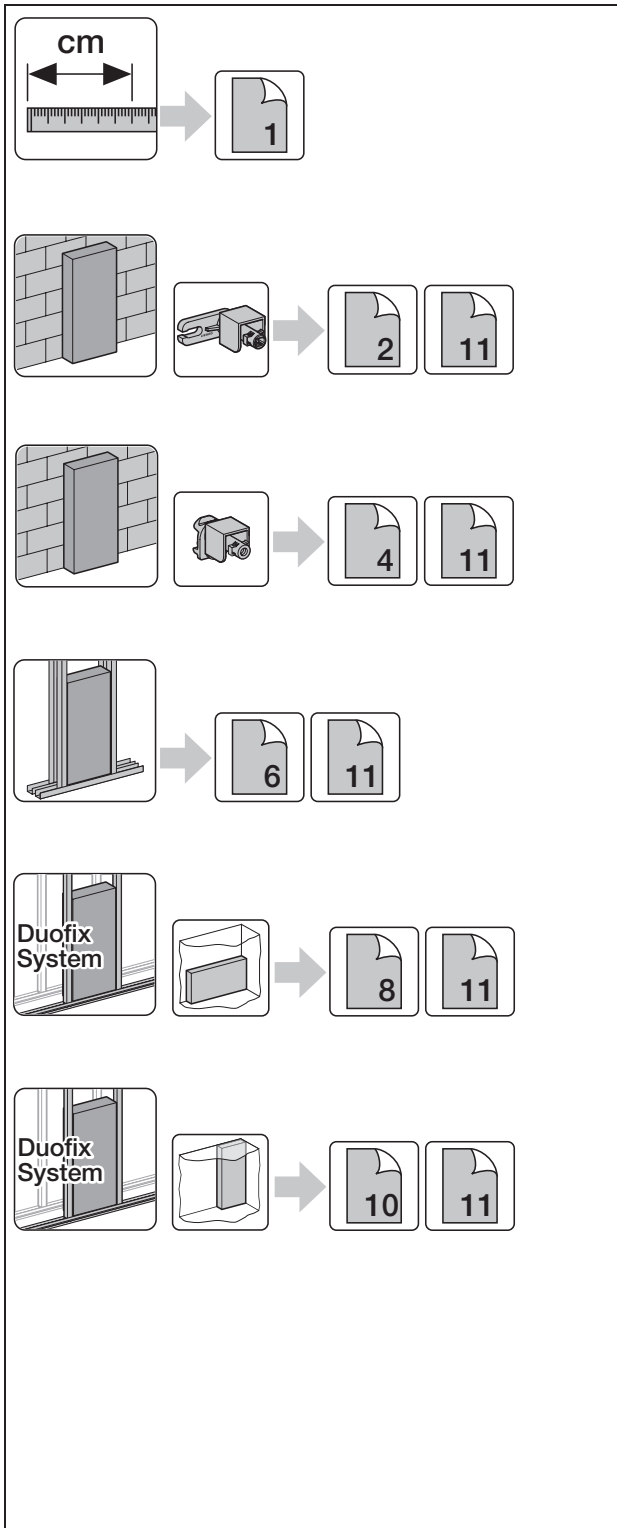
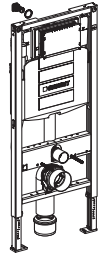
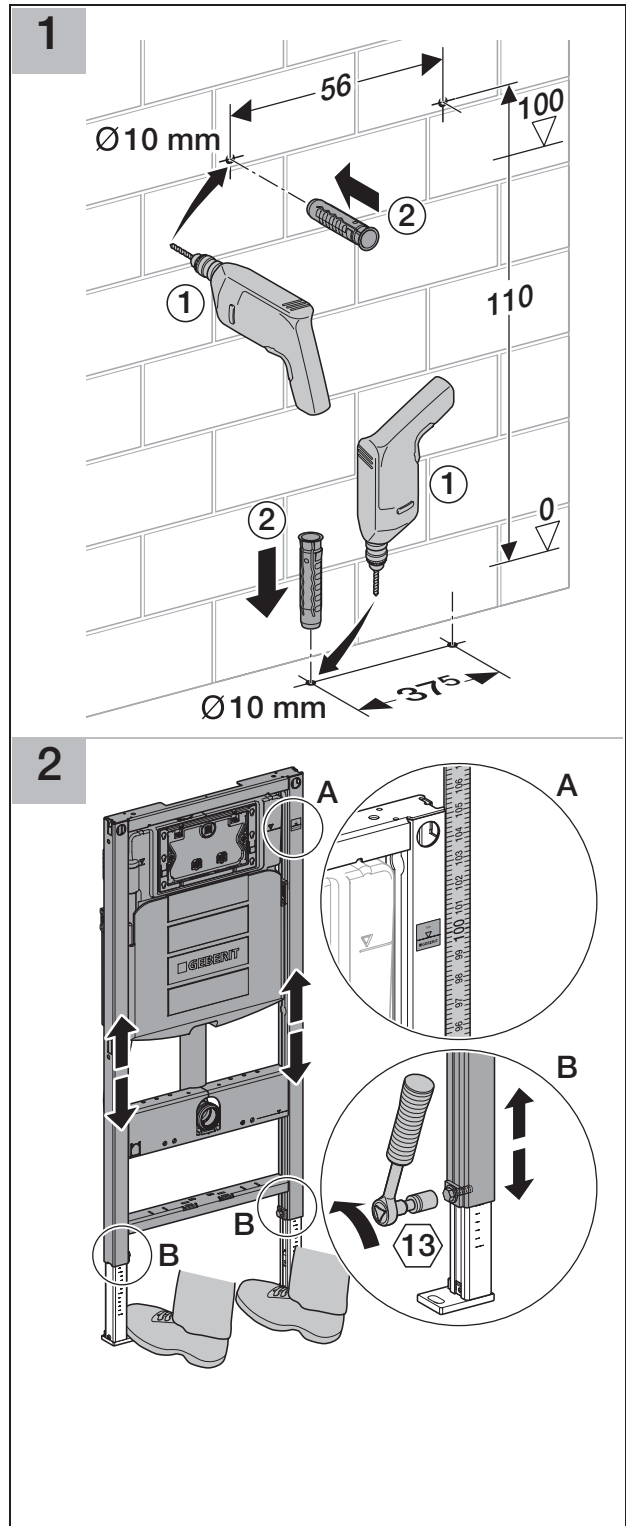
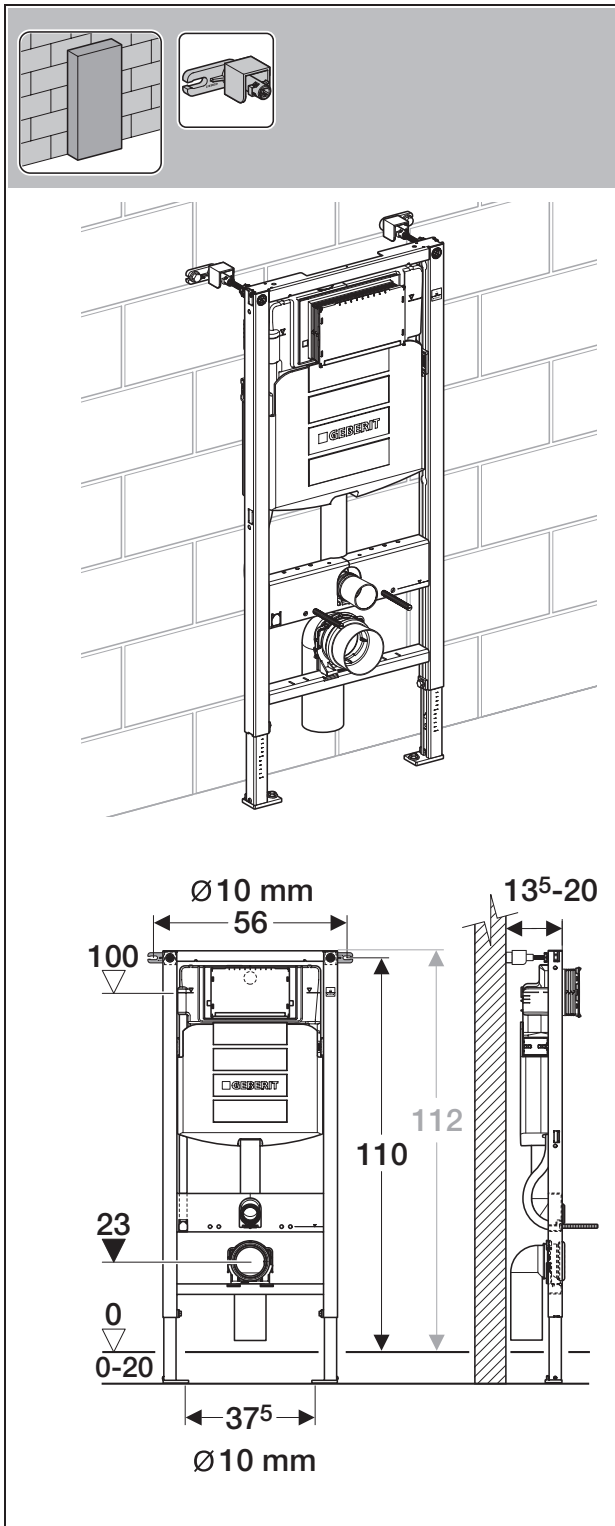
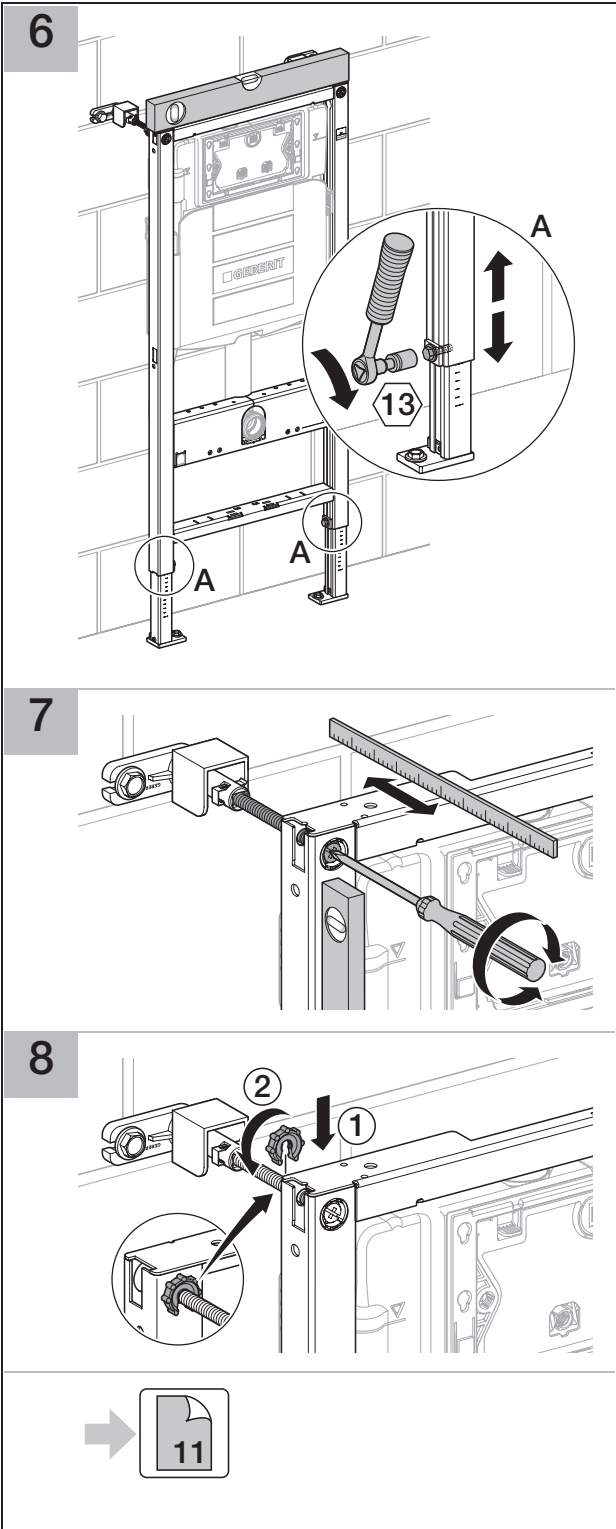
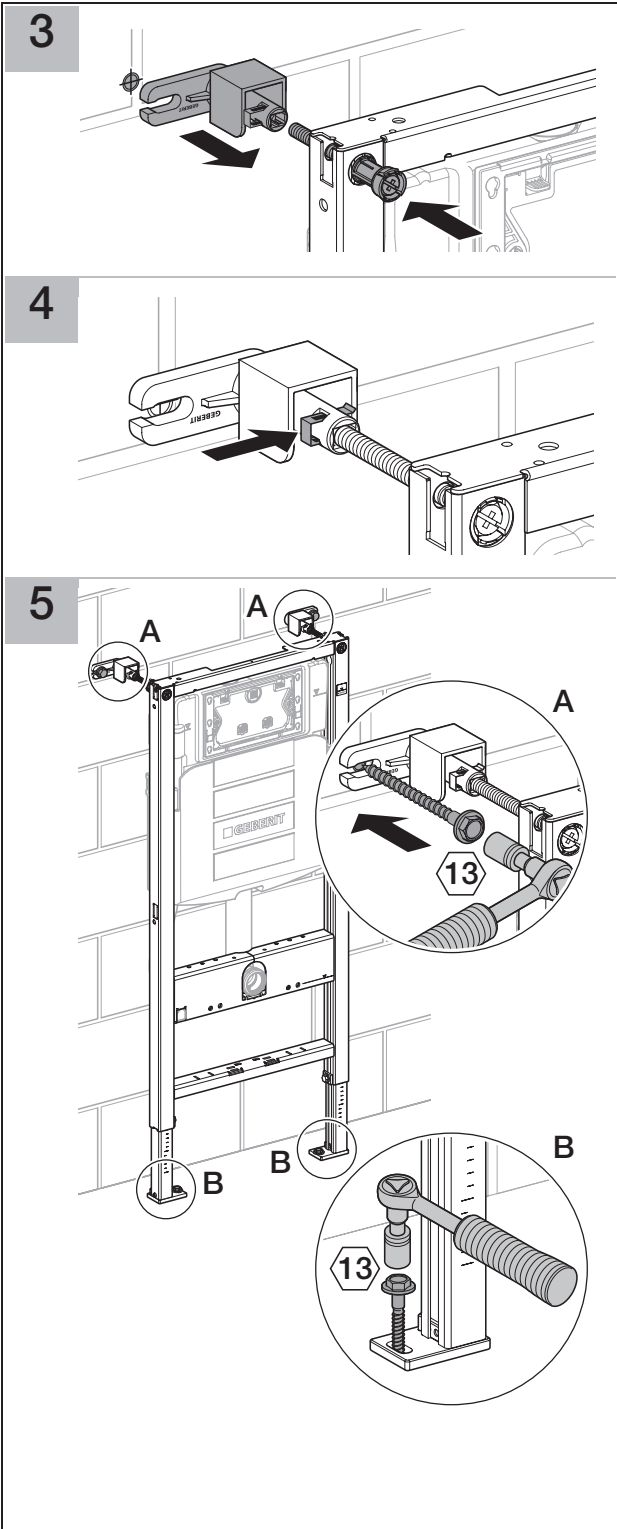


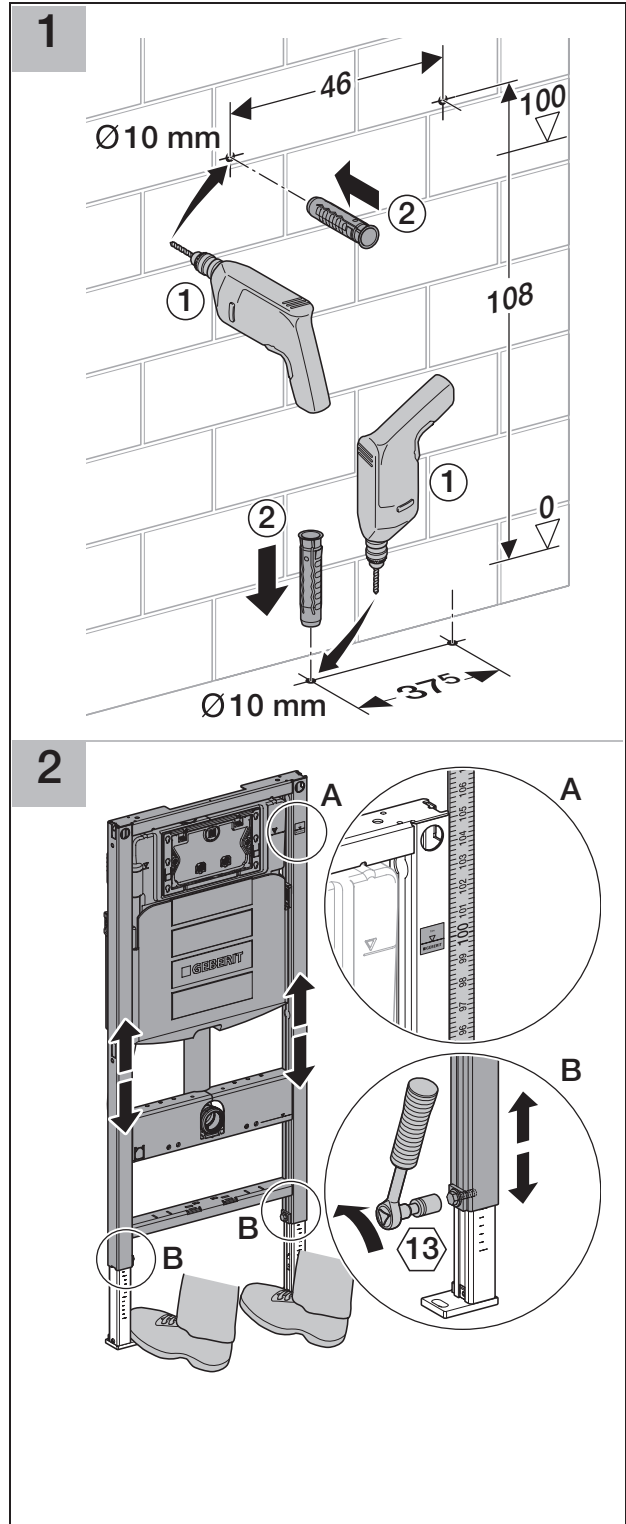
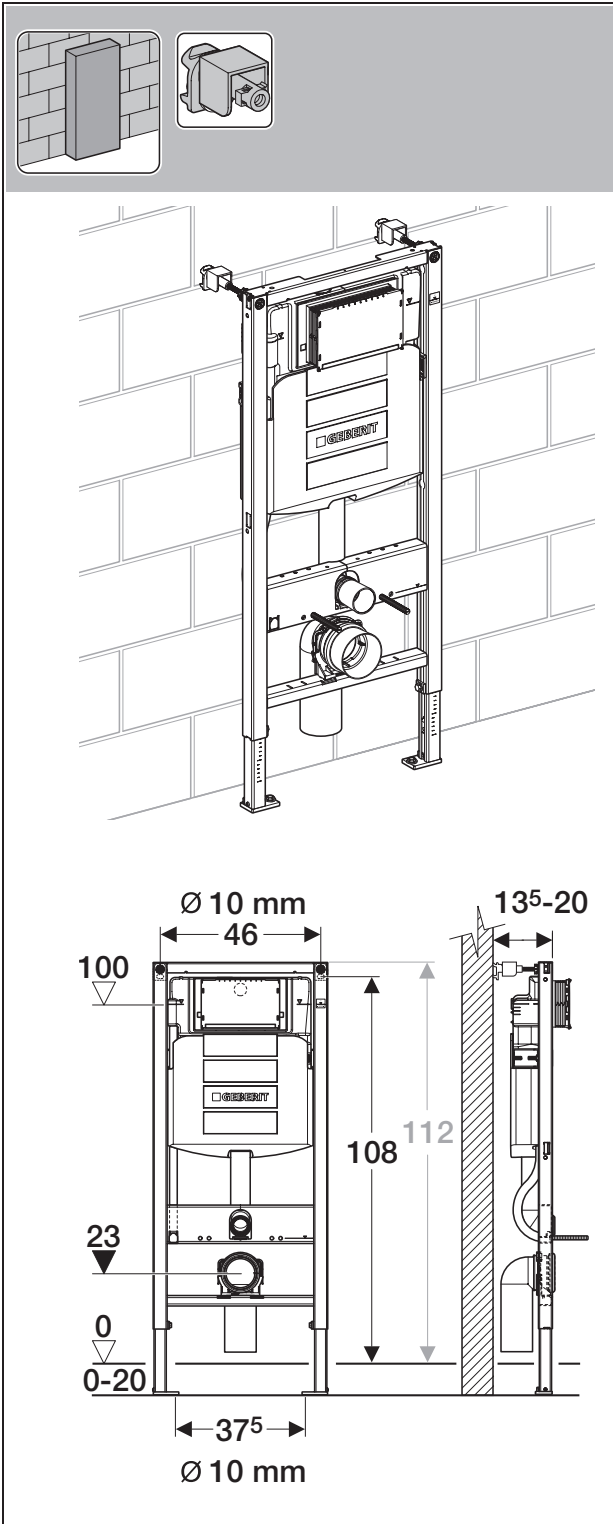
Installation

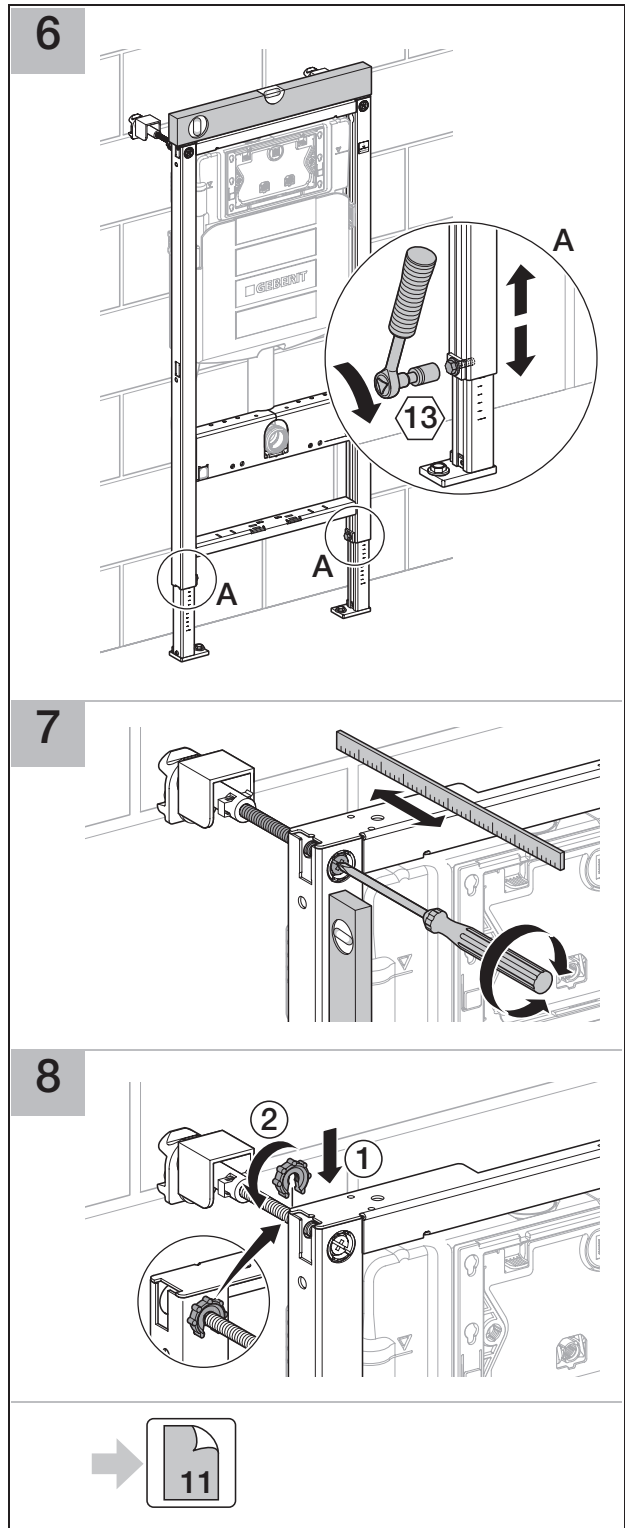
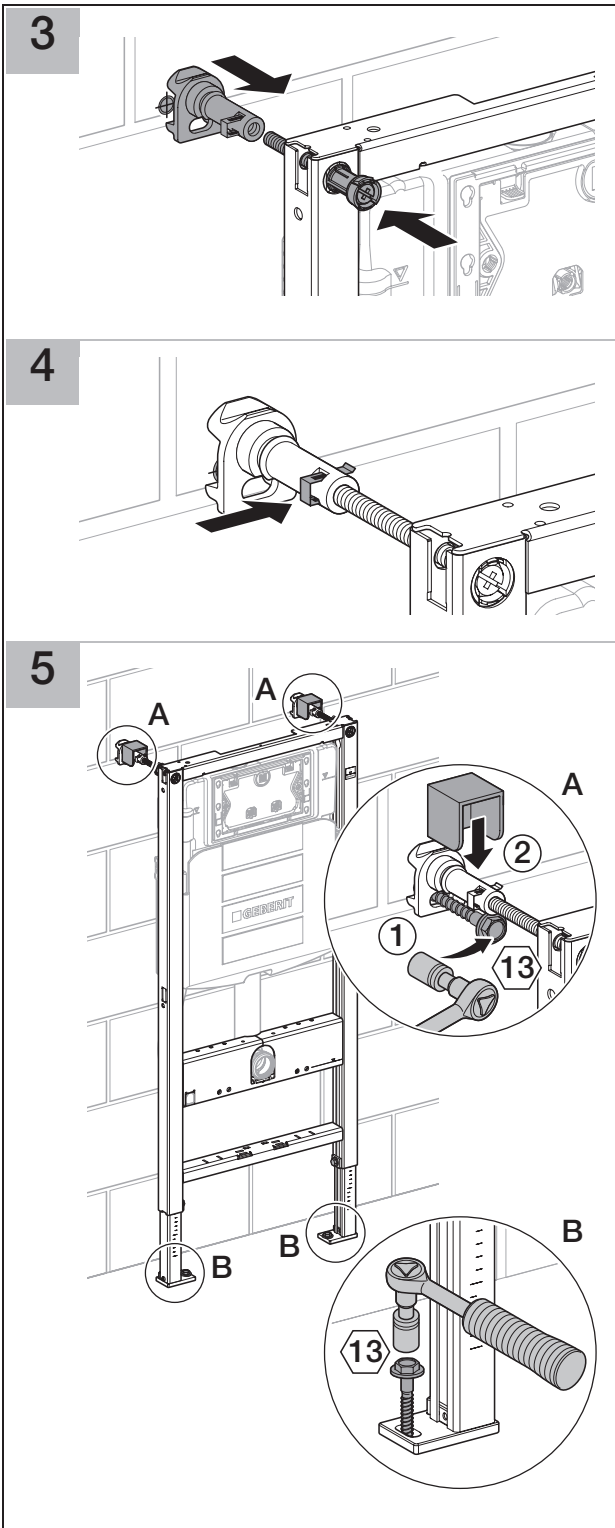


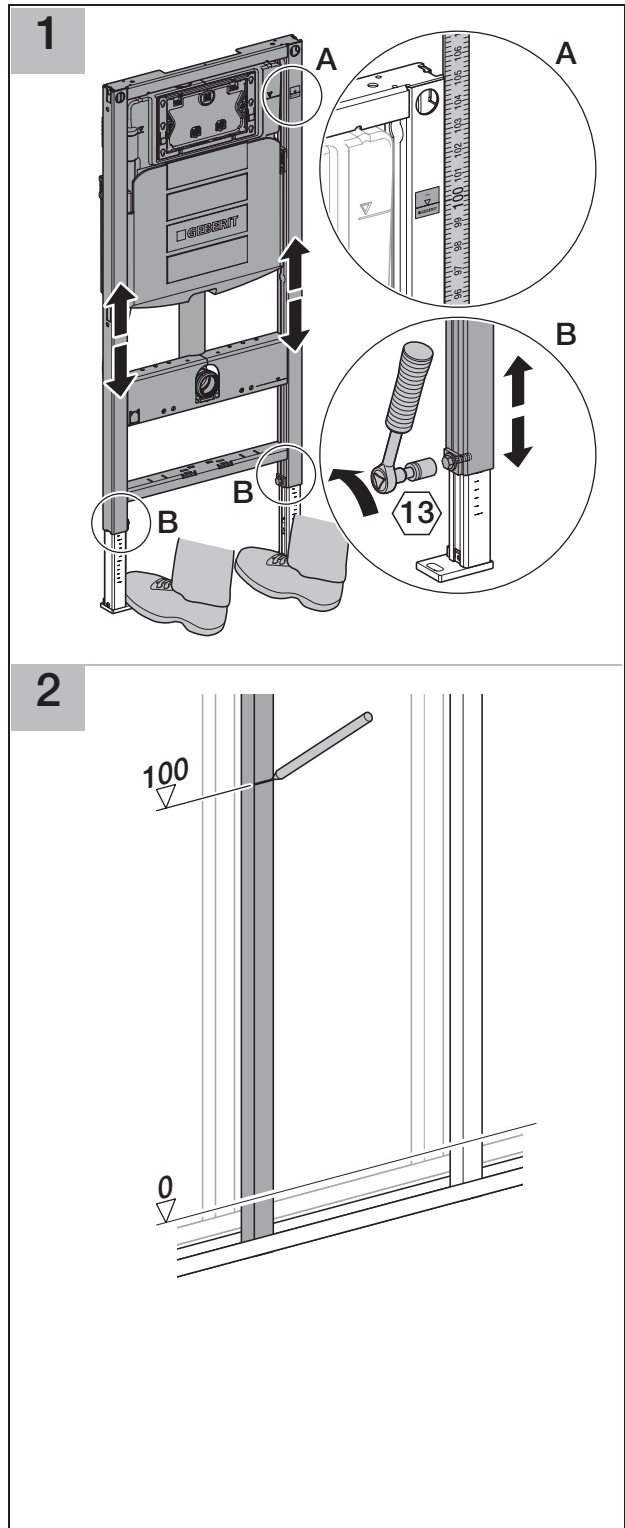
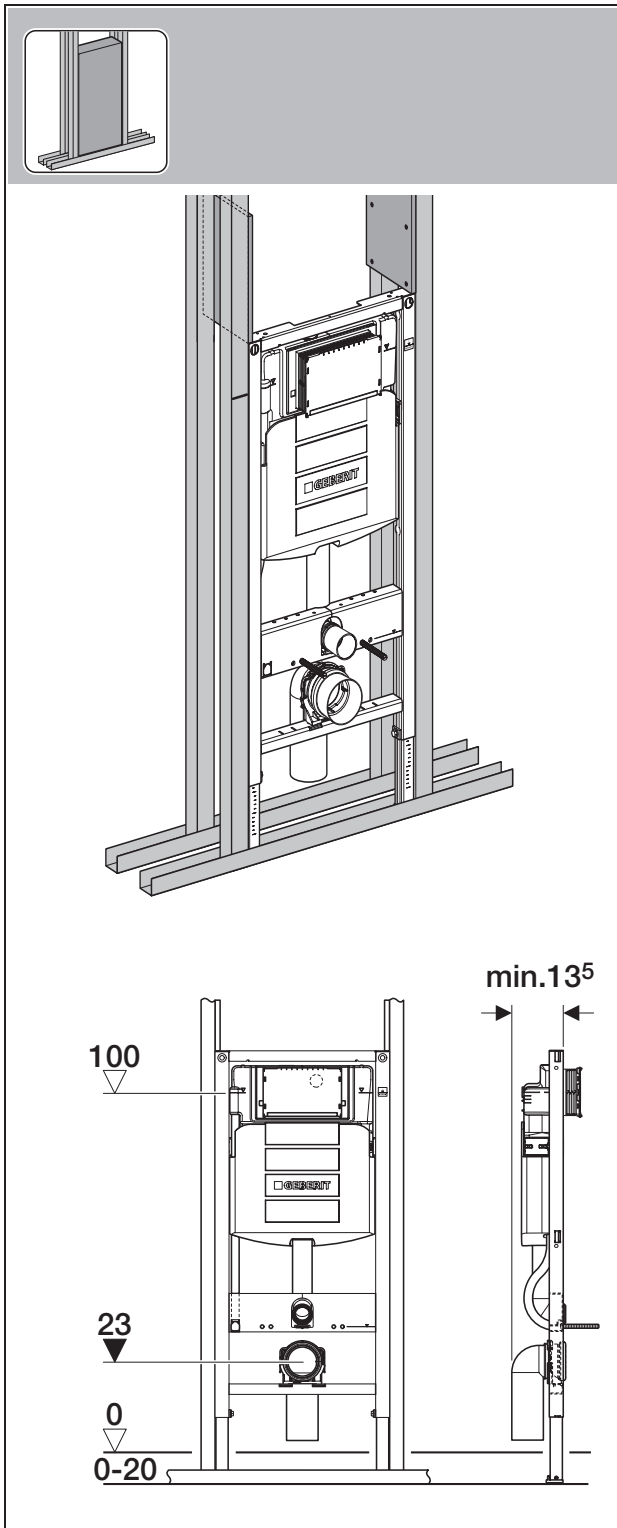
D20662-002&BDC © 11-2007

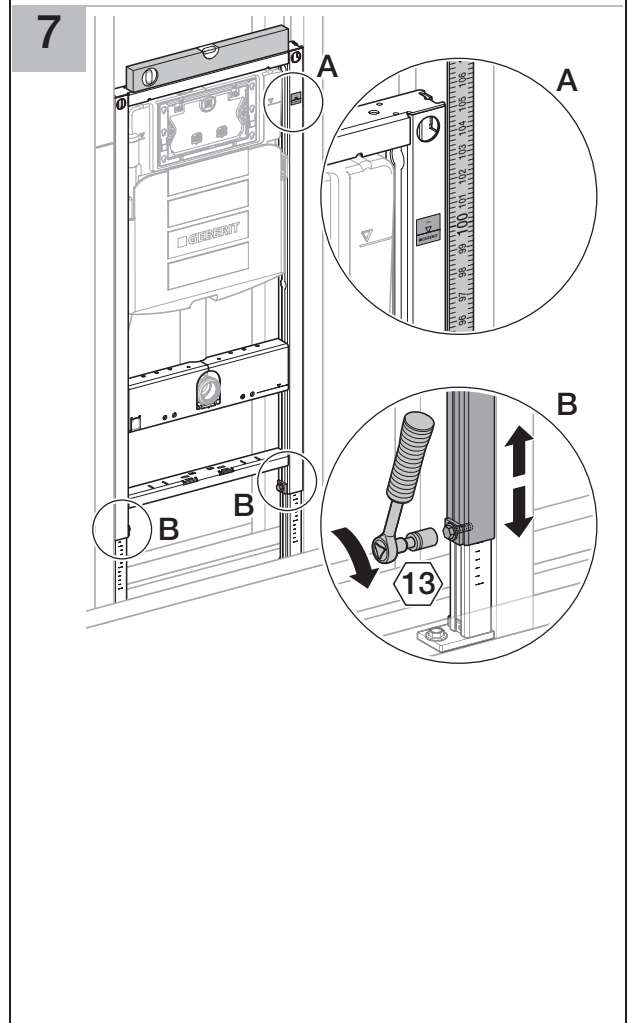
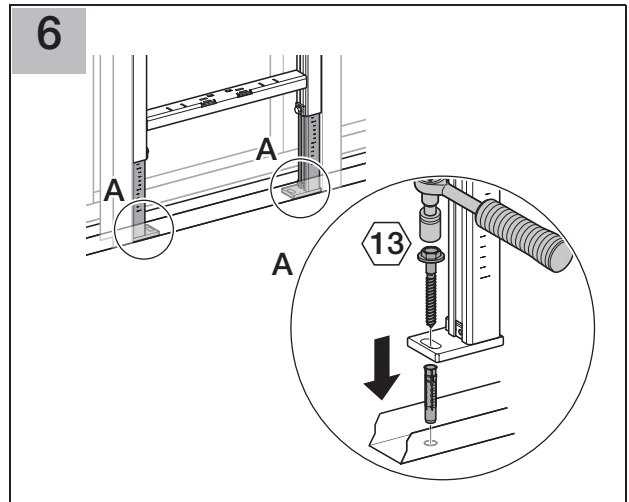
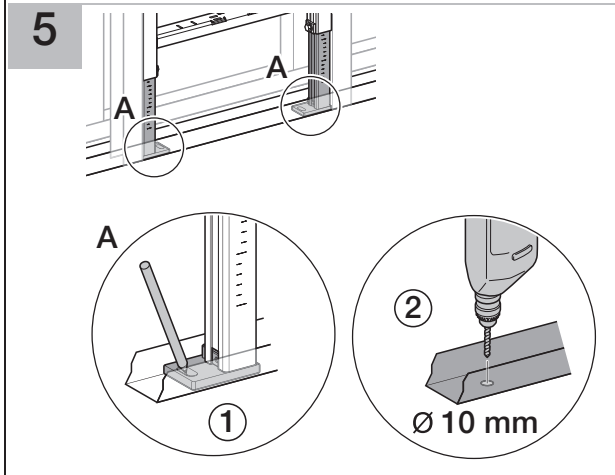
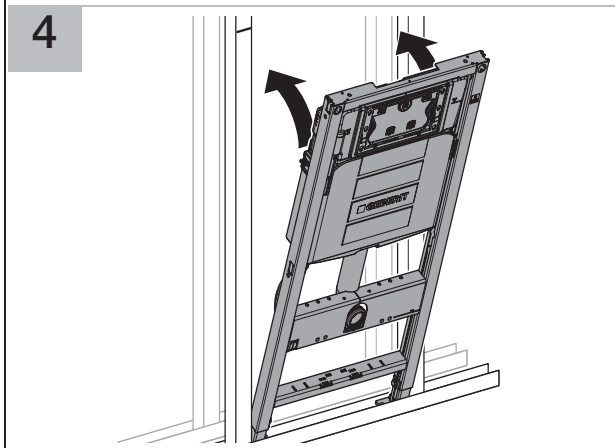
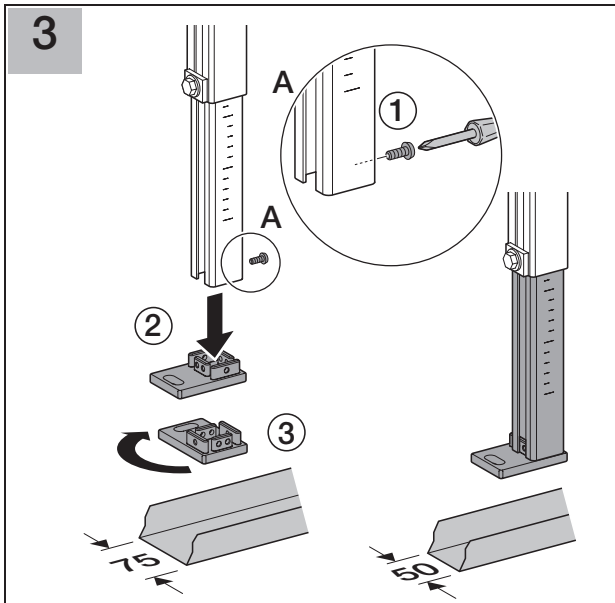












8

9

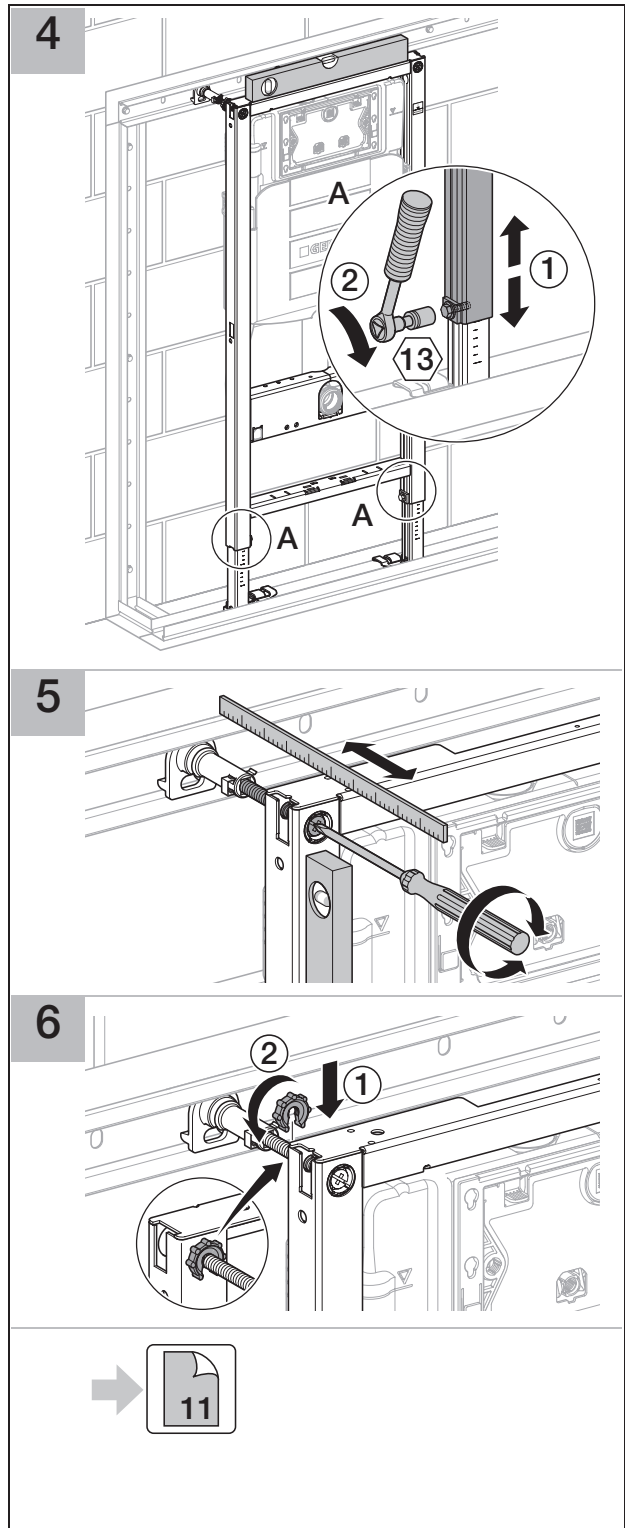
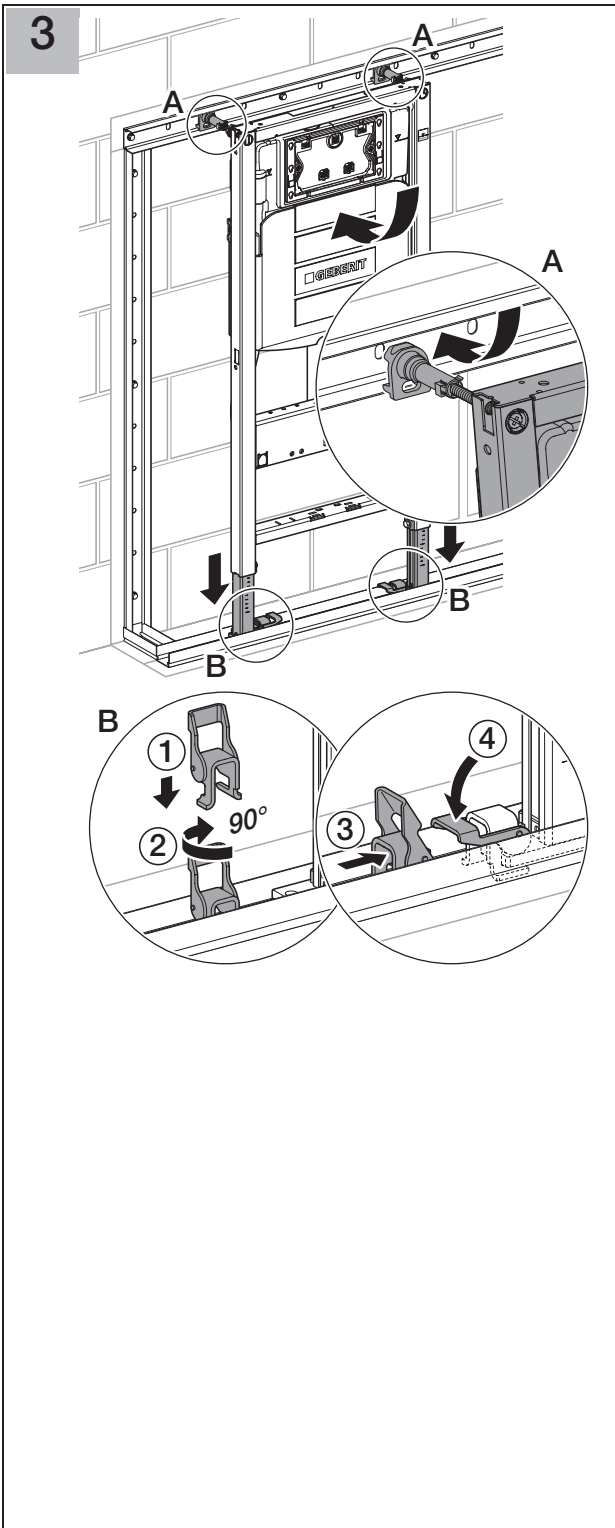
10

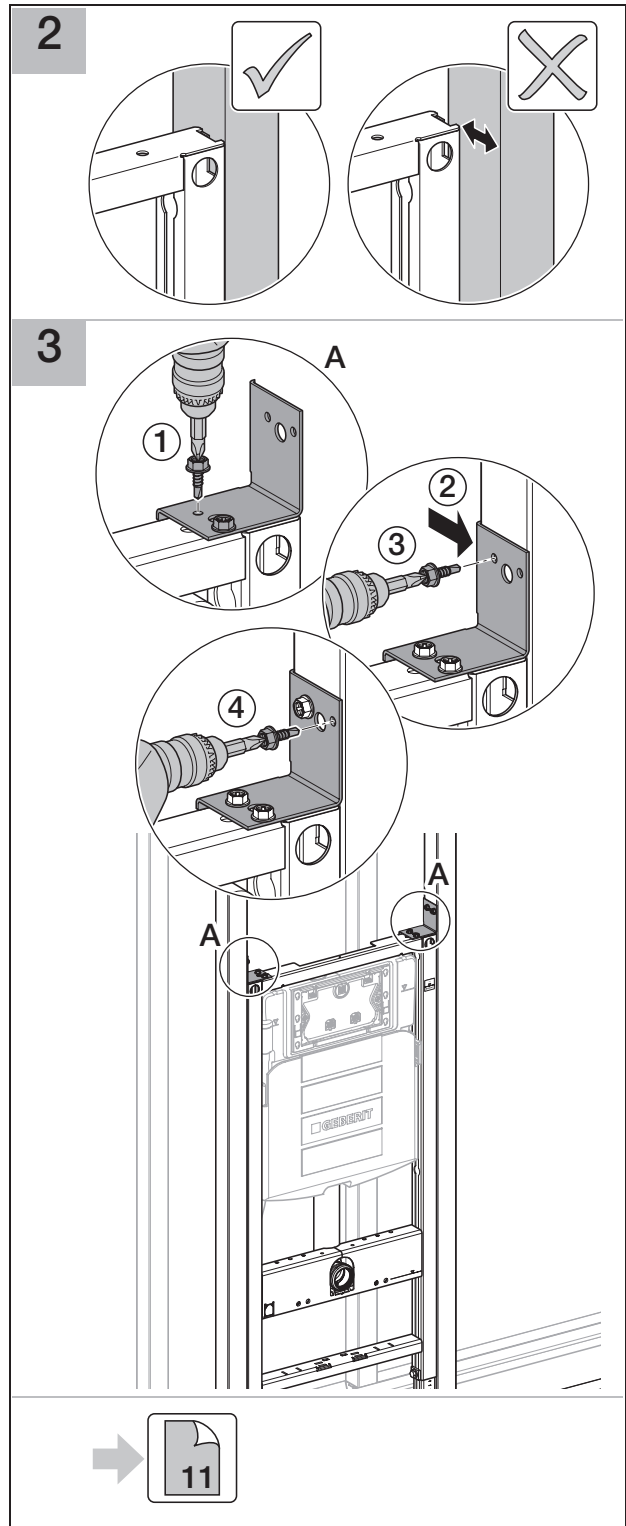
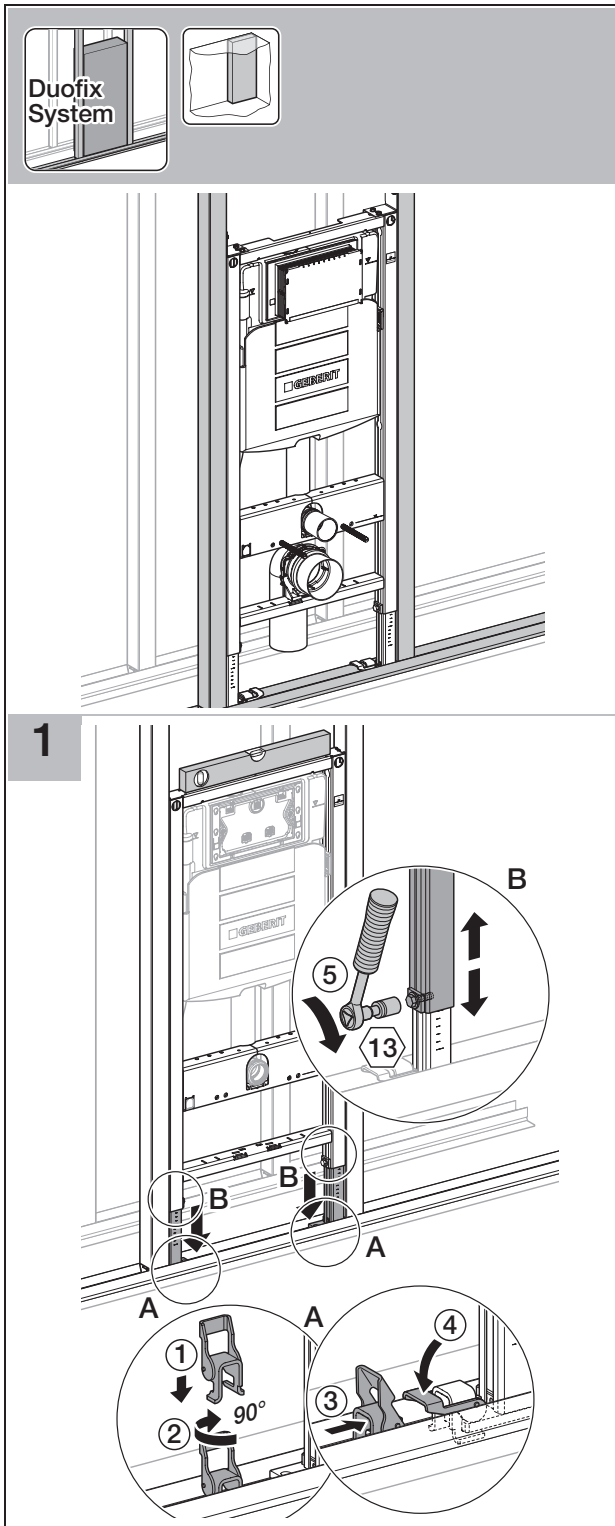
→ **11**

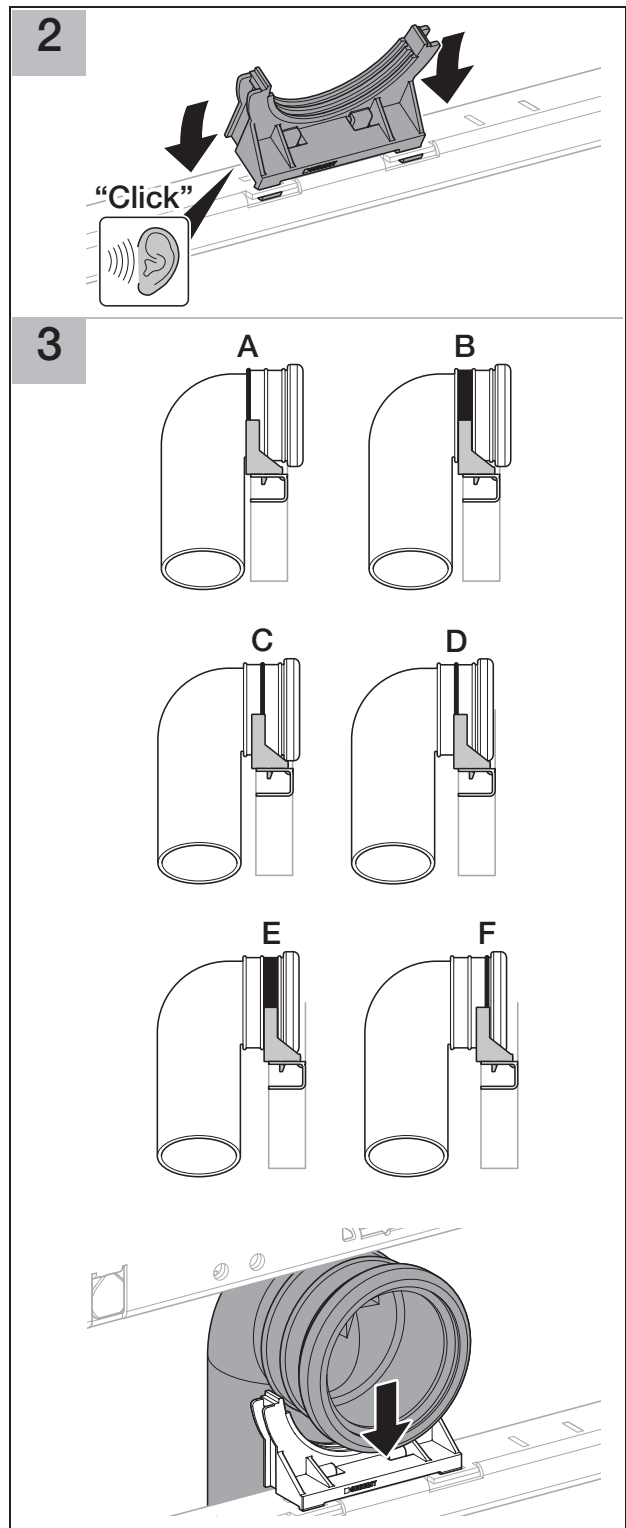
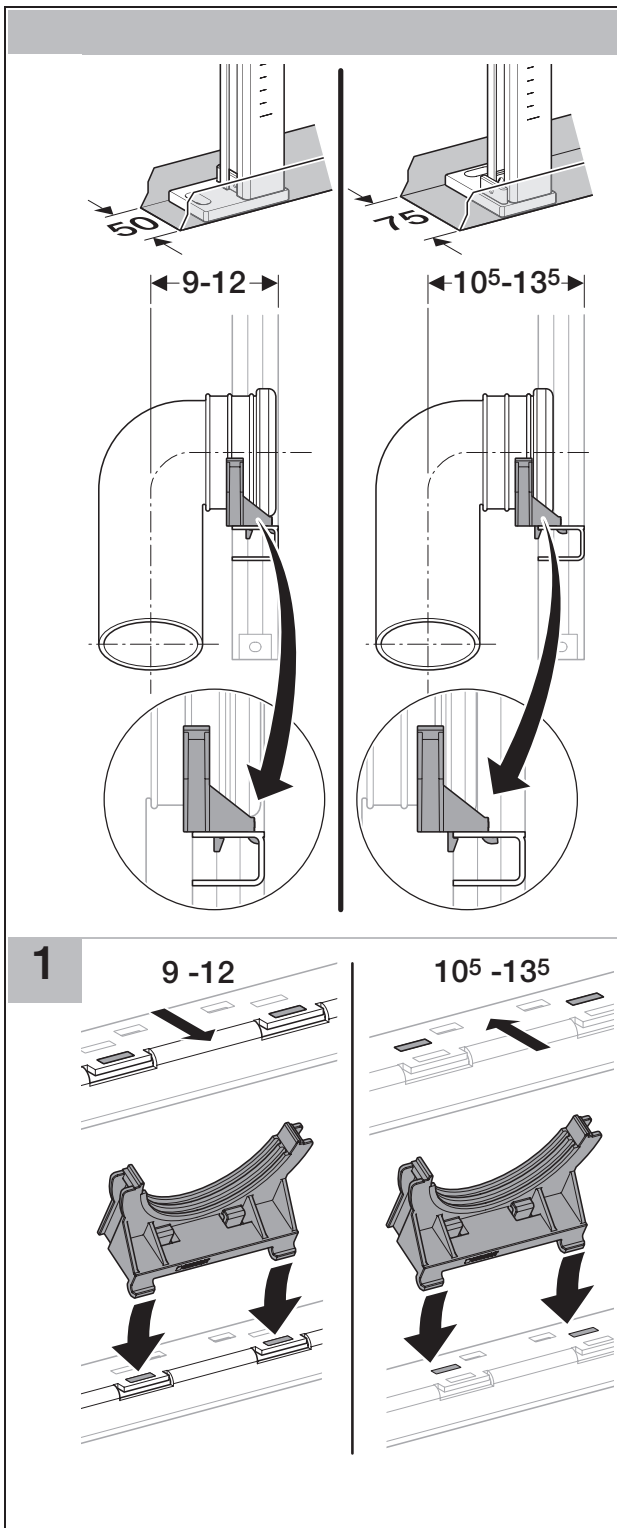
Duofix System

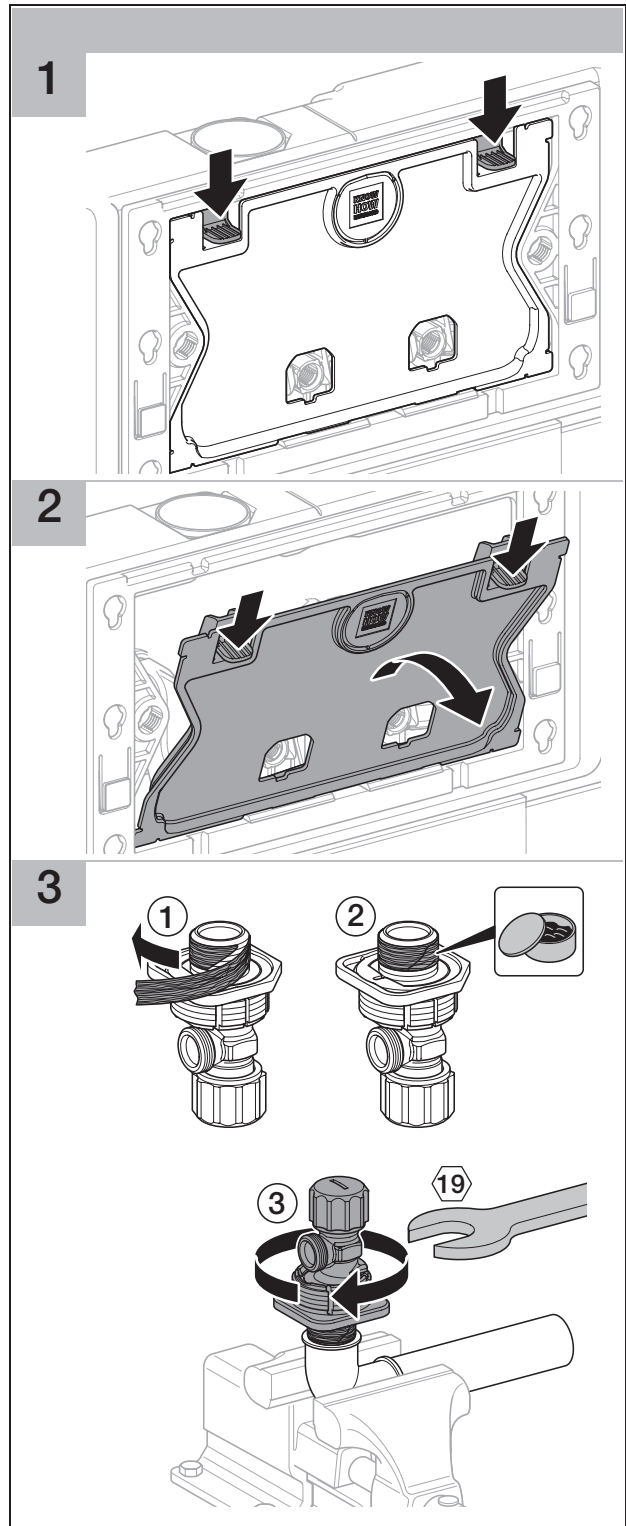
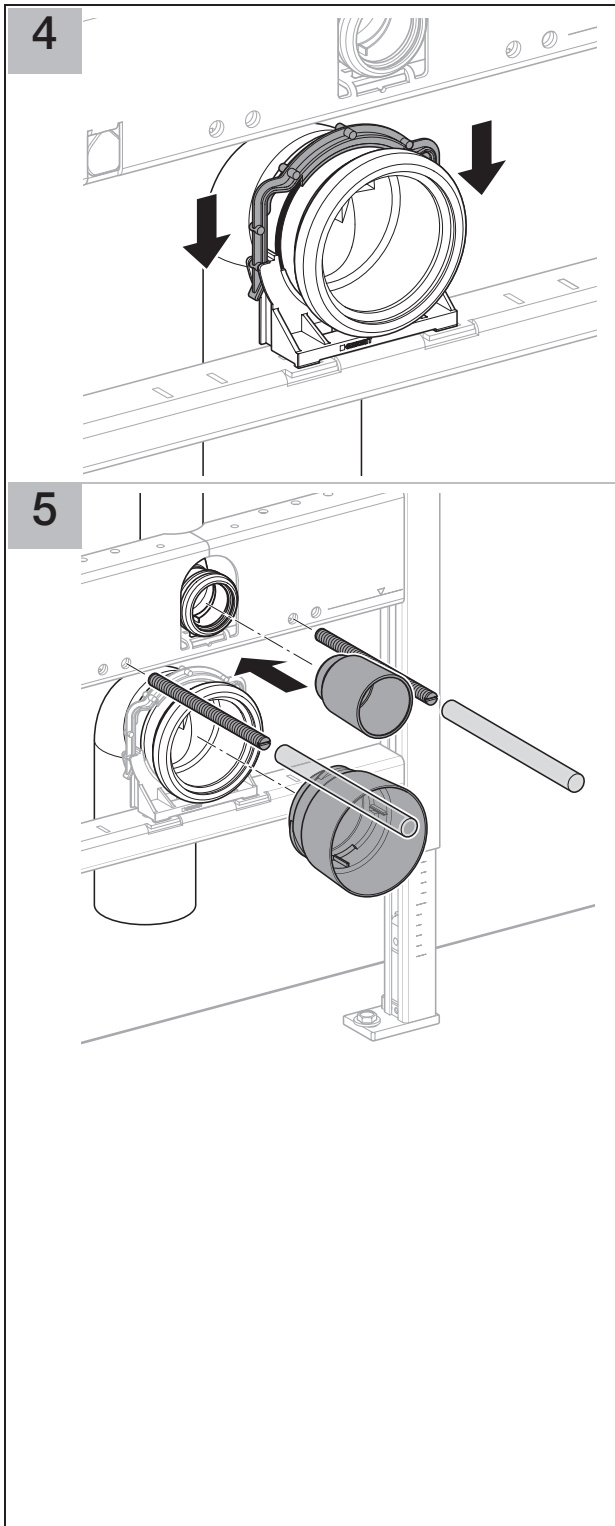
1

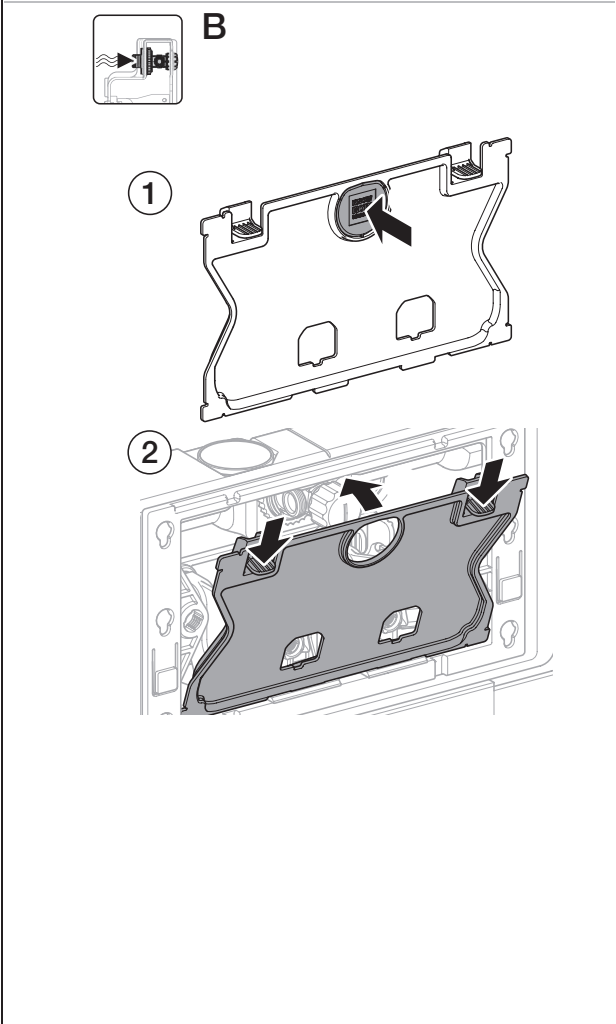
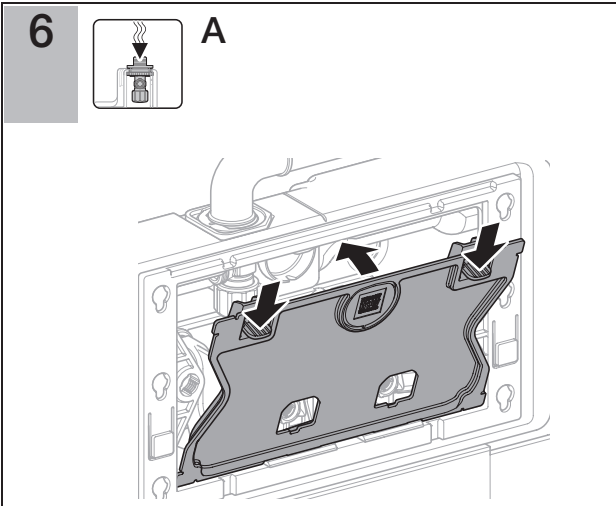
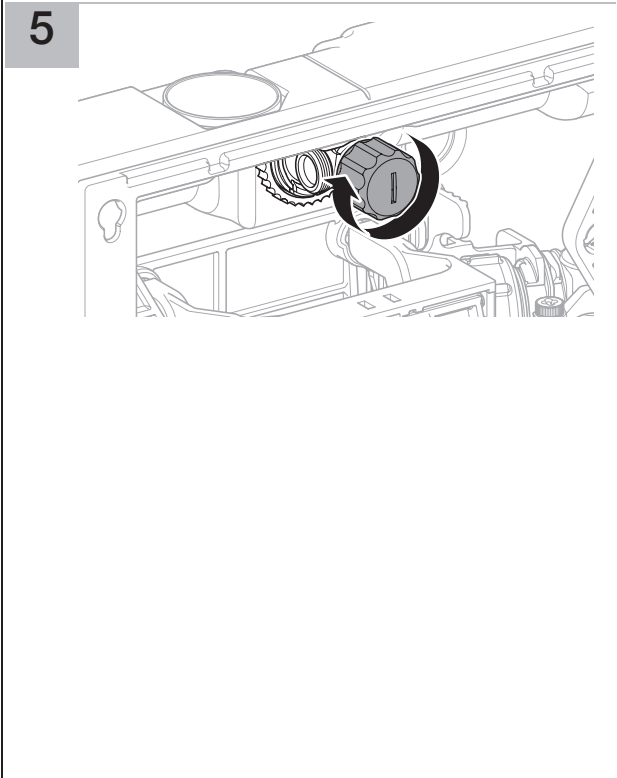
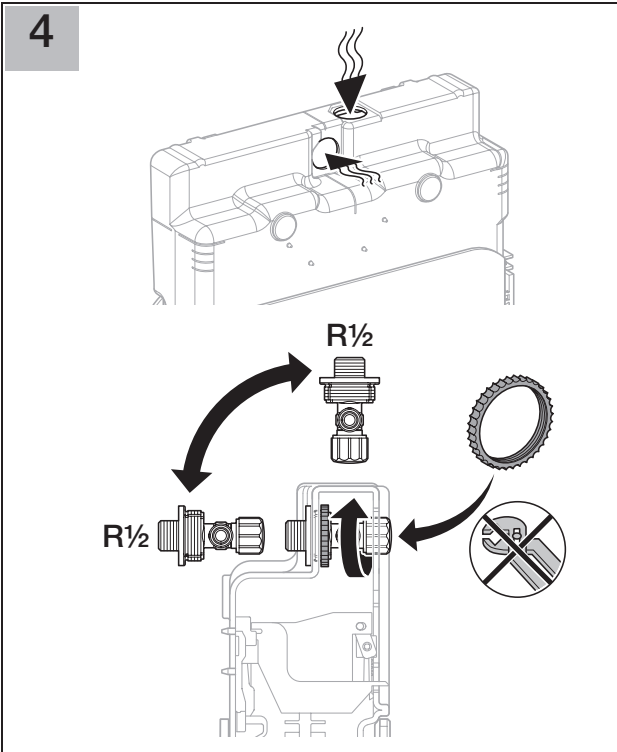
2

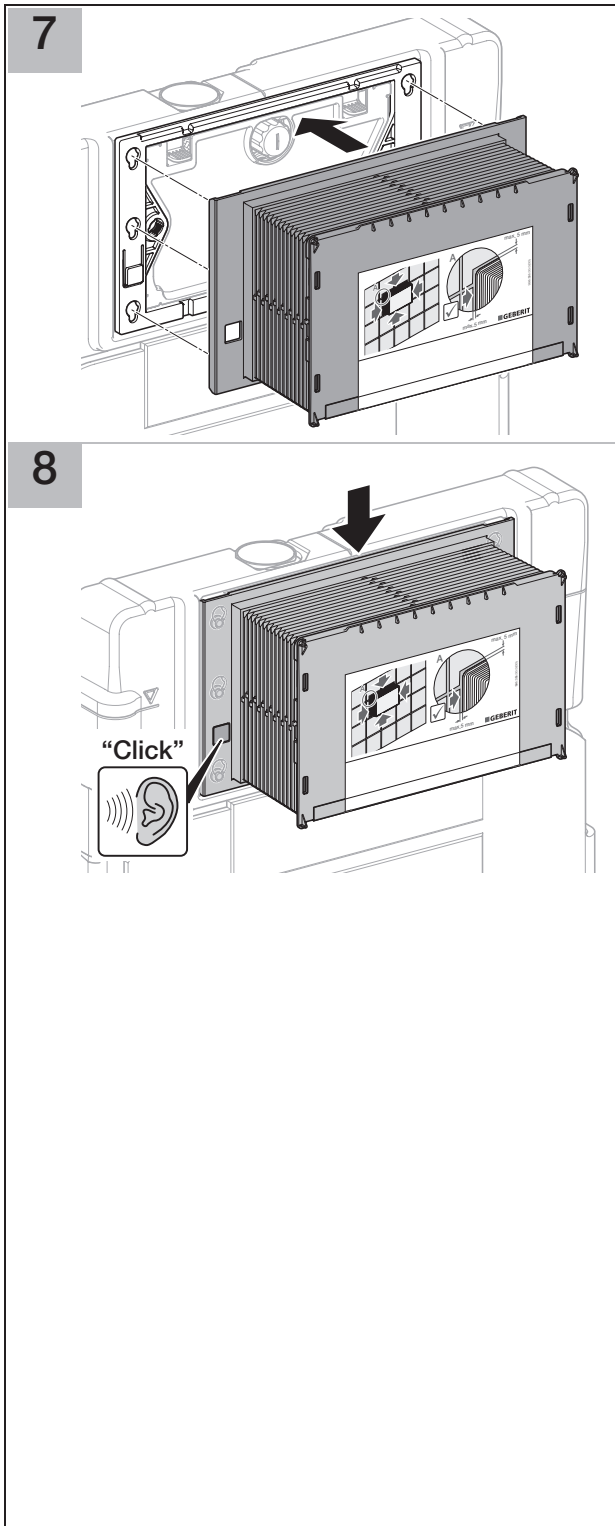












Geberit International AG
Schachenstrasse 77
CH-8645 Jona
www.geberit.com
dokumentation@geberit.com

D20662-002&BDC © 11-2007