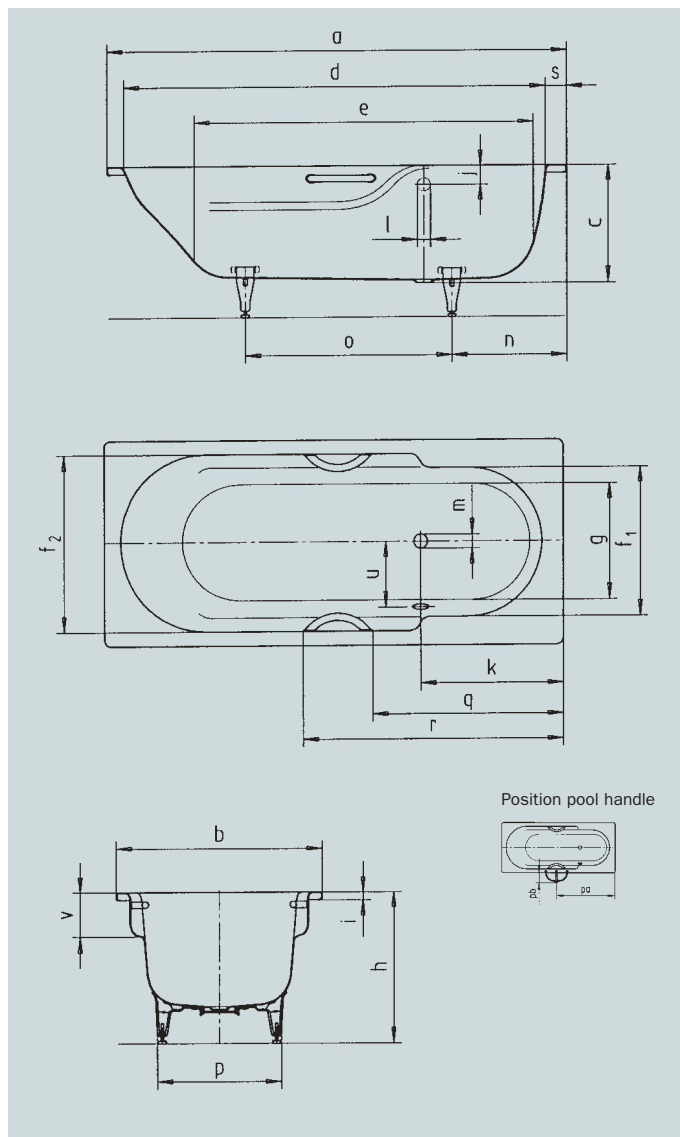


RONDO

RONDO STAR

- the curvature of the interior contours provides lots of room for the upper part of the body
- wide arm rests for optimum bathing comfort
- classic four-cornered model, also available with handles



Model no.		700 / 701	710 / 711
External length	a	1700	1800 mm
External width	b	750	800 mm
Depth	c	445	445 mm
Internal length (top)	d	1560	1650 mm
Internal length (bottom)	e	1250	1340 mm
Internal width (top)	f ₁ ; f ₂	530; 635	580; 690 mm
Internal width (bottom)	g	400	450 mm
Height with feet	h	576-601	576-601 mm
Height of rim	i	32	32 mm
Distance top edge to centre of overflow hole	j	75	75 mm
Distance tub edge (foot) to centre of drain hole	k	525	565 mm
Diameter of overflow hole	l	52	52 mm
Diameter of drain hole	m	52	52 mm
Distance foot end of tub edge to centre of base	n	430	450 mm
Distance between the feet	o	710	810 mm
Max. width of feet	p	440	480 mm
Distance tub edge to drilled hole in the middle	pa	878,5	926,5 mm
Max. overhang	pb	151	151 mm
Distance tub edge (foot end) to where handle starts (Mod. 701/711)	q	750	800 mm
Distance tub edge (foot end) to where handle ends (Mod. 701/711)	r	1023	1073 mm
Width of rim (foot end)	s	80	80 mm
Distance between centre holes	u	260	285 mm
Armrest depth	v	170	170 mm
Water volume** in litres		130	178
Anti-slip		∅ 288	∅ 435 mm
Full anti-slip		900 x 300	900 x 300 mm

Subject to technical alterations and tolerances.
 ** 70 litres displacement on average.