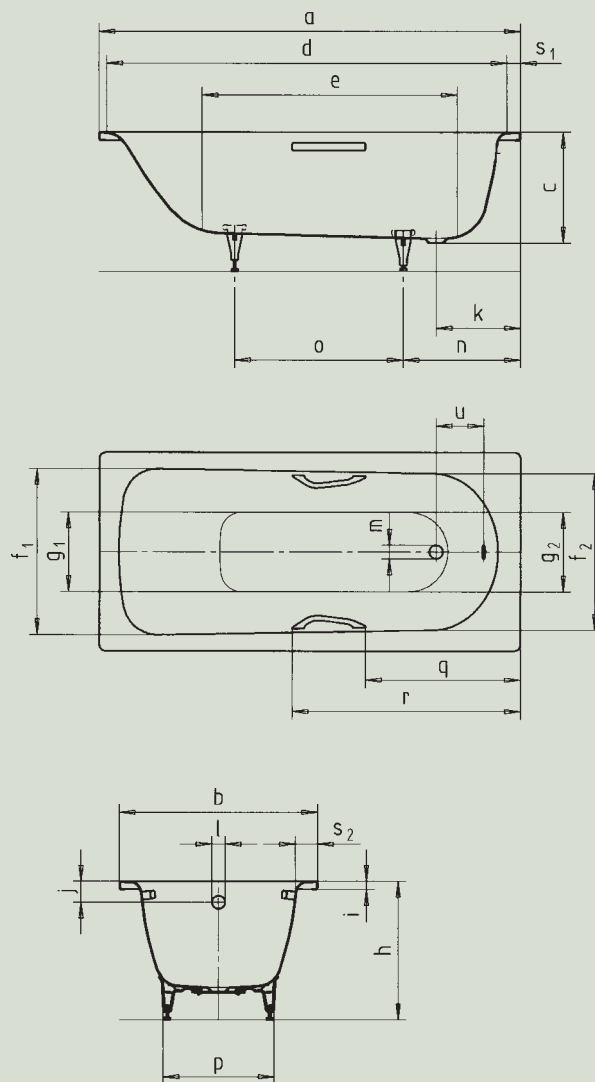


SANIFORM PLUS

SANIFORM PLUS STAR

- one-seater bathtub with outlet at foot end
- classic four-cornered model
- also available with handles



Model no.		360-1/ 330	361-1/ 331	362-1/ 332	363-1/ 335	371-1/ 334	372-1/ 333	373-1/ 336	374/ 338	375-1/ 337
External length	a	1400	1500	1600	1700	1700	1600	1700	1750	1800 mm
External width	b	700	700	700	700	730	750	750	750	800 mm
Depth	c	410	410	410	410	410	410	410	430	430 mm
Internal length (top)	d	1230	1330	1430	1530	1530	1430	1530	1630	1630 mm
Internal length (bottom)	e	850	950	1050	1150	1150	1050	1150	1200	1250 mm
Internal width (top)	f ₁ ; f ₂	550; 530	550; 530	550; 530	550; 530	550; 530	600; 580	600; 580	630; 560	675; 640 mm
Internal width (bottom)	g ₁ ; g ₂	390; 350	390; 350	390; 350	390; 350	390; 350	440; 400	440; 400	430; 380	520; 450 mm
Height with feet	h	535-555	535-555	535-555	535-555	535-555	535-555	535-555	560-580	550-580 mm
Height of rim	i	32	32	32	32	32	32	32	32	32 mm
Distance top edge to centre of overflow hole	j	63	63	63	63	63	63	63	70	75 mm
Distance tub edge (foot) to centre of drain hole	k	310	320	310	310	310	310	310	285	310 mm
Diameter of overflow hole	l	52	52	52	52	52	52	52	52	52 mm
Diameter of drain hole	m	52	52	52	52	52	52	52	52	52 mm
Distance foot end of tub edge to centre of base	n	455	445	450	450	450	445	445	450	460 mm
Distance between the feet	o	445	555	600	740	740	640	750	640	840 mm
Max. width of feet	p	380	380	380	380	370	430	430	430	480 mm
Distance tub edge (foot end) to where handle starts	q	-/510	-/538	-/580	-/643	-/643	-/580	-/643	-/643	-/735 mm
Distance tub edge (foot end) to where handle ends	r	-/788	-/816	-/858	-/921	-/921	-/858	-/921	-/921	-/1013 mm
Width of rim (foot end; lengthwise)	s ₁ ; s ₂	70; 75	70; 75	70; 75	70; 75	85; 90	70; 75	70; 75	60; 55	70; 75 mm
Distance between centre holes	u	212	222	212	212	212	218	218	221	216 mm
Water volume** in litres		67	82	93	97	97	107	123	145	150 mm
Anti-slip		Ø 288	Ø 288	Ø 288	Ø 288	Ø 288	Ø 288	Ø 288	Ø 288	Ø 288 mm
Full anti-slip		600 x 220	600 x 220	600 x 220	850 x 240	850 x 240	600 x 220	900 x 300	600 x 220	900 x 300 mm

Subject to technical alterations and tolerances.
 ** 70 litres displacement on average.