

# INSTALLATION INSTRUCTION

## SINGLE LEVER BATH-SHOWER MIXER

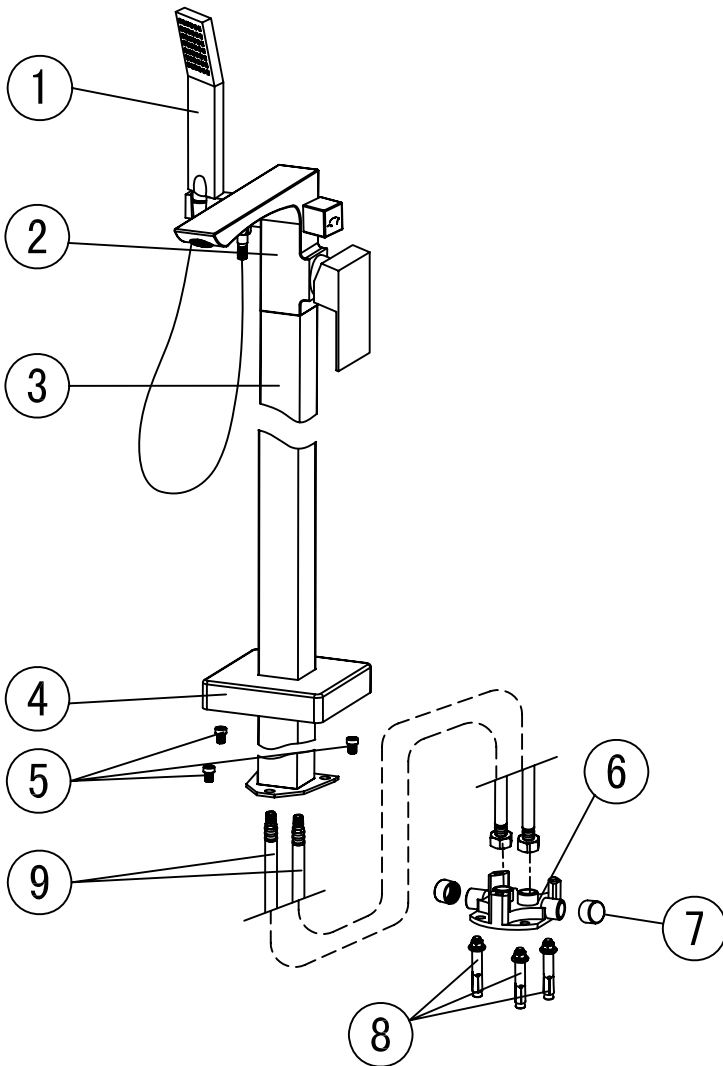
### ※ACCESSORIES CHECKING

#### LIST OF THE STANDARD ACCESSORIES:

Please double-check the accessory list hereinafter and contact our company or our distributor for any unconformity.

#### Remarks:

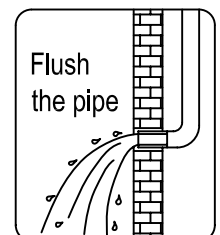
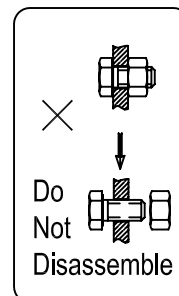
1. Without affecting their performing, accessories may be changed without further notice;
2. Drawings for reference only, Product size & shape refer to actual faucet.



Code	The Accessory List	Quantity
1	Shower	1
2	Main body	1
3	Straight pipe	1
4	Cover	1
5	Screw	3
6	Base	1
7	Threaded inlet Sheath	2
8	Screw	3
9	Inlet pipe	2

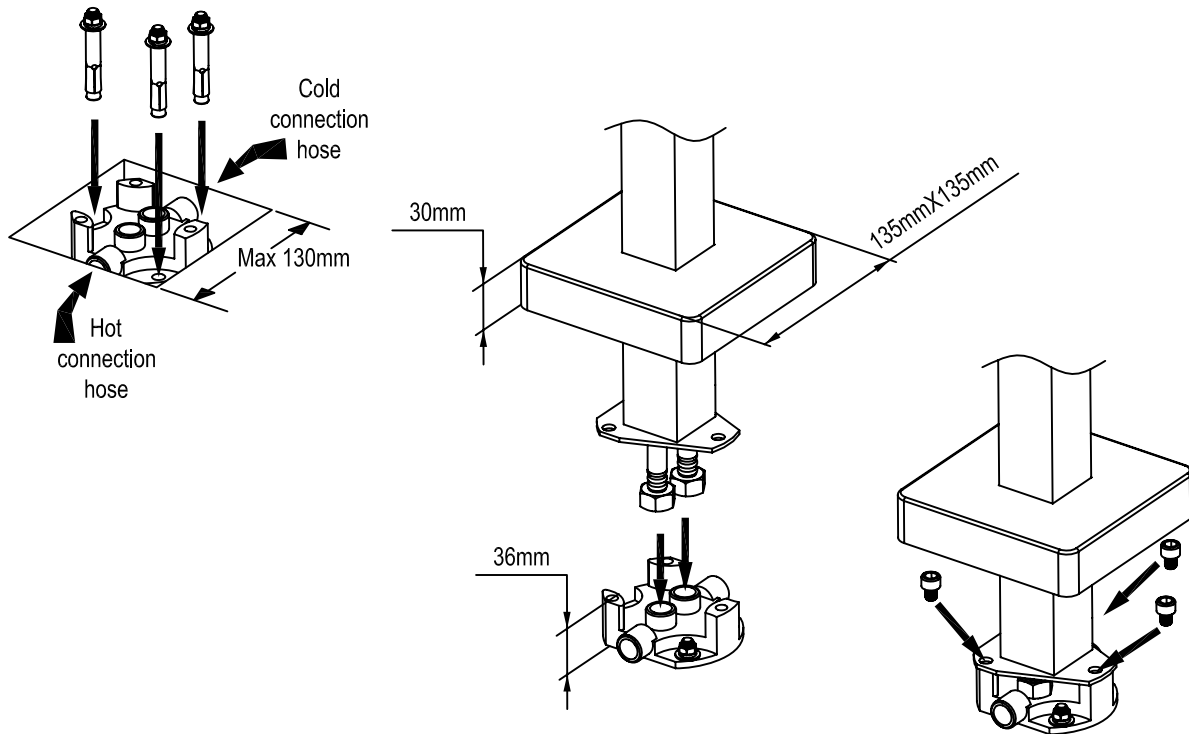
### ※Installation Instructions

- ☆ Do not disassemble the main body, as it has been installed & commissioned correctly & precisely before leaving the factory;
- ☆ To avoid the faucet from jamming, do flush the water pipe before installation;
- ☆ After installation, make sure every joint safely sealed & no leaking;
- ☆ Using condition: Working pressure at 0.05-1.0MPa (including cold & hot water pressure), with applicable water temperature: 4°C-90°C;
- ☆ Make sure to connect the hot/cold inlet pipe correctly, if standing in front, hot water pipe connecting to the left & cold water pipe connecting to the right.



## ※Installation Procedures

☆ Please install the connection hose into the wall according to the installation Procedures.



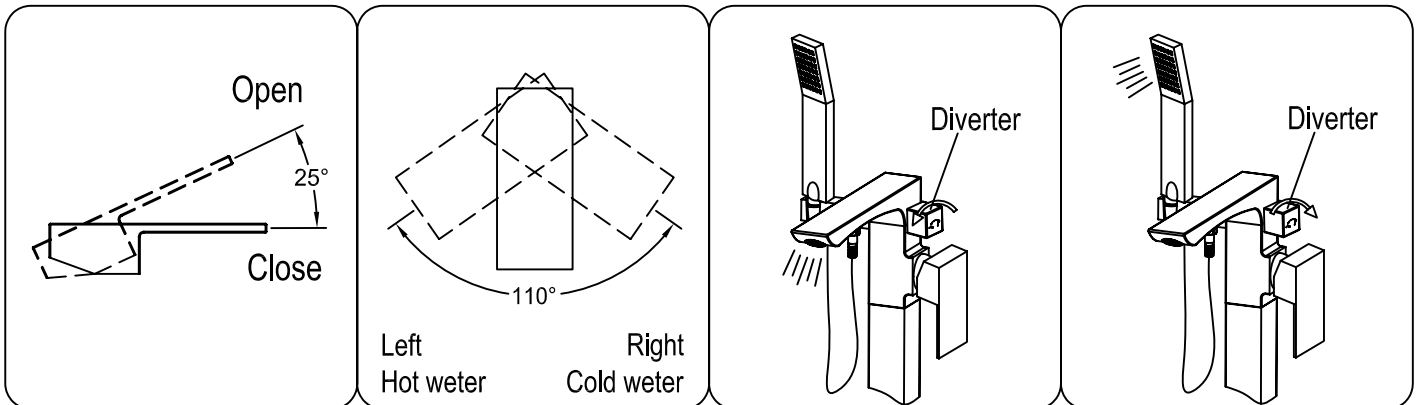
## ※Usage

☆How to operate the handle

- 1) Raise the handle lever up for opening water; push it down for close.
- 2) Turn the handle lever to the left to increase hot water flow for higher water temperature, and lower water temperature by operating reversely.

☆The diverter instruction:

Switch the diverter handle, water comes out from faucet or hand shower.



## ※Cleaning & Maintenance

☆ To keep the product clean & shining, follow the as below:

1. Flush with clean water & dry with soft cloth only;
2. If any dirt, clean with soft liquid or transparent glass detergent;
3. Do not use any scrubbing detergent, polisher, sane-cloth, paper tissue or scraper;
4. Do not use acid detergent, indissolvable grain-like detergent or soap.

