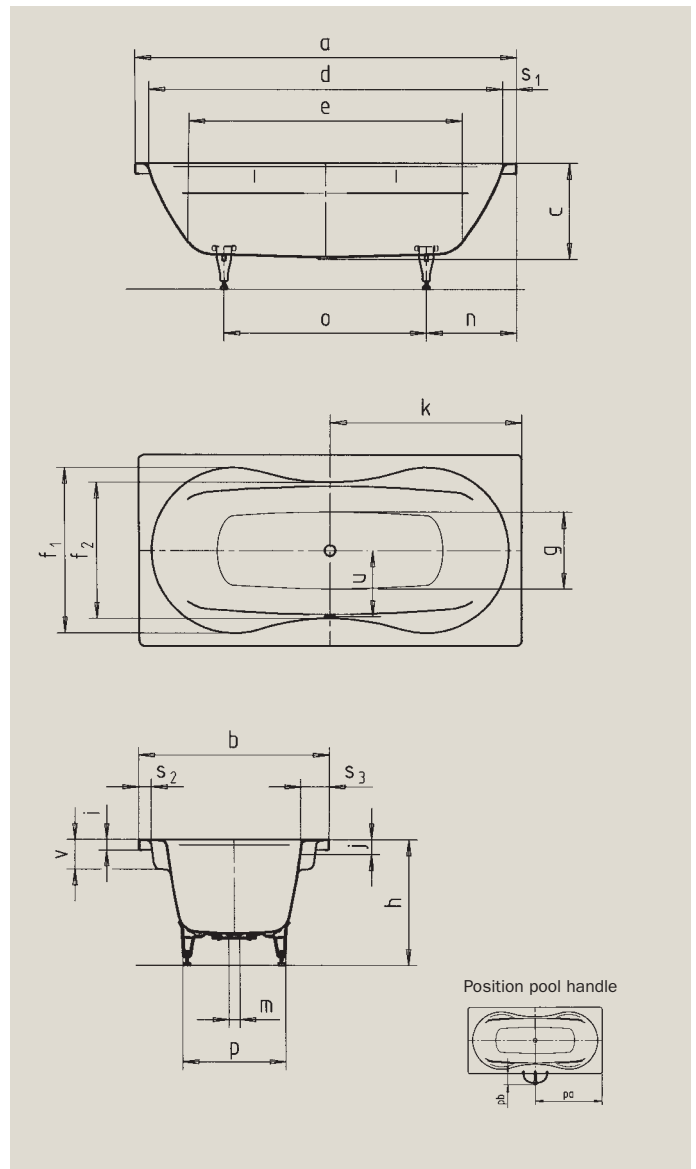


MEGA DUO

- bathing with a friend: two identical back rests and centrally positioned outlet
- wide arm rests on both sides provide optimum bathing comfort
- classic four-cornered model



Model no.		180
External length	a	1800 mm
External width	b	900 mm
Depth	c	450 mm
Internal length (top)	d	1680 mm
Internal length (bottom)	e	1290 mm
Internal width (top)	f ₁ ; f ₂	780; 640 mm
Internal width (bottom)	g	360 mm
Height with feet	h	565-600 mm
Height of rim	i	50 mm
Distance top edge to centre of overflow hole	j	70 mm
Distance tub edge to centre of drain hole	k	900 mm
Diameter of overflow hole	l	52 mm
Diameter of drain hole	m	52 mm
Distance foot end of tub edge to centre of base	n	490 mm
Distance between the feet	o	820 mm
Max. width of feet	p	480 mm
Distance tub edge to drilled hole in the middle	pa	900 mm
Max. overhang	pb	136 mm
Width of rim (foot end; lengthwise)	s ₁ ; s ₂ ; s ₃	60; 60; 130 mm
Distance between centre holes	u	310 mm
Armrest depth	v	140 mm
Water volume** in litres		186
Anti-slip		Ø 435 mm
Full anti-slip		900 x 300 mm

Subject to technical alterations and tolerances.
 ** 70 litres displacement on average.